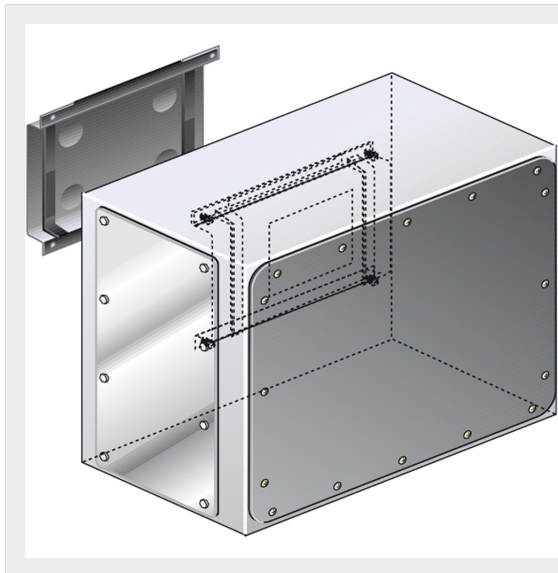


BTICINO > ZUCCHINI busbar > Medium power busbar > MR Medium Rating > Aluminium Feed units

**50401207**

Intermediate feed unit for busbar AI MR1000 - In=800A - IP55

Technical features

Brand	BTicino
Standard reference	CEI EN 61439-6
Rated voltage	1000Vac
Rated current	1000A
Protection index	IP55
Series	MR

Documentation

 [Instruction Sheet](#) [Busbar catalogue](#)

Related products



50400267

Data Center straight elements (IP40). Aluminium conductors and windows on both sides (5+5, step 600m...



50400267-2400

Data Center straight elements (IP40). Aluminium conductors and windows on both sides (5+5, step 600m...



50400267-1200

Data Center straight elements (IP40). Aluminium conductors and windows on both sides (2+2, step 600m...



50400277-2400

Data Center straight elements (IP40). Aluminium conductors and windows on both sides (3+3, step 800m...



50400277-1600

Data Center straight elements (IP40). Aluminium conductors and windows on both sides (2+2, step 800m...



50400147

Straight element MR1000 AI with 1+1 outlets for side - In=800A - IP52 - length 1-1.5m



50400247

Straight element MR1000 AI without outlets - In=800A - IP52 - length 3m



50400257

Straight element MR1000 AI with 5 outlets on one side only - In=800A - IP52 - length 3



50400107

Straight element MR1000 AI with 3+3 outlets for side - In=800A - IP52 - length 3m



50400127

Straight element MR1000 AI without outlets - In=800A - IP52 - length 1-1.5m