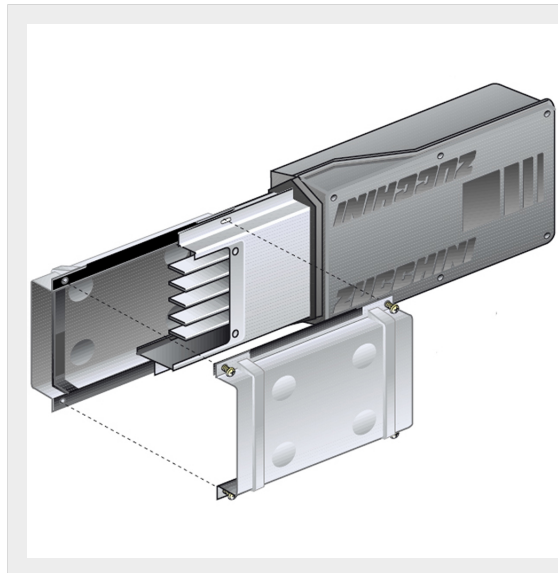


BTICINO > ZUCCHINI busbar > Medium power busbar > MR Medium Rating > Aluminium Feed units




50401102

Right feed unit (LITTLE) for busbar in AI MR250 - In=250A - IP55

Technical features

Brand	BTicino
Standard reference	CEI EN 61439-6
Rated voltage	1000V
Rated current	250A
Protection index	IP55
Series	MR

Documentation

 [Instruction Sheet](#) [Busbar catalogue](#)