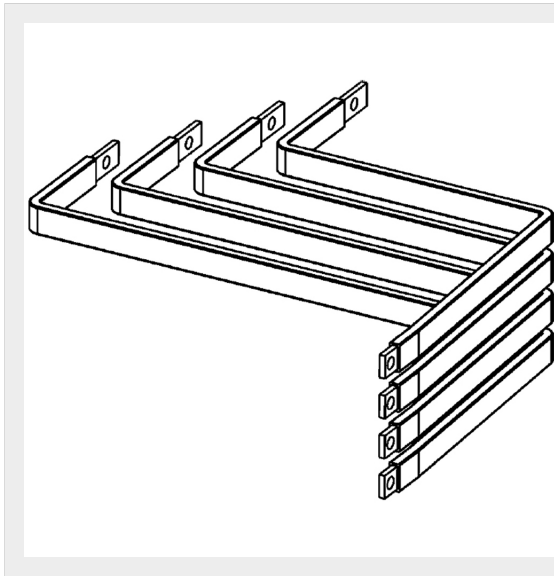


BTICINO &gt; Low voltage energy distribution &gt; TIFAST - wiring systems &gt; Vertical distribution up to 1600A




## TKC250L2

Connection kit for M2 250 with busbars in aluminium in internal busbar compartment depth 600-850mm - section 20x5mm - step 75mm - vertical installation

### Technical features

Standard reference	CEI EN 61439-1/2
Rated current	250-400A
Series	Tifast

### Documentation

 [Instructions Sheet](#)