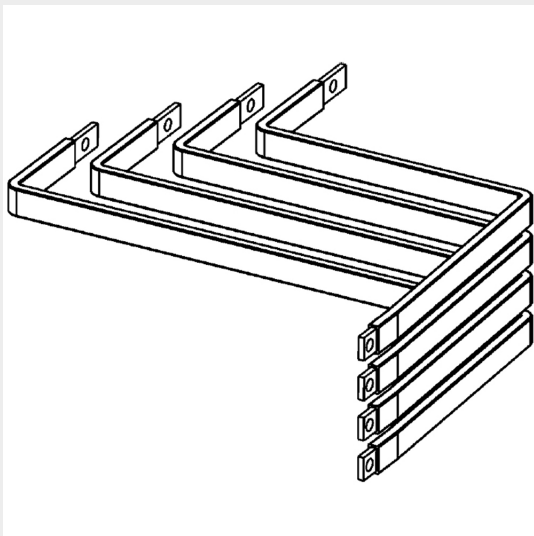


BTICINO > Low voltage energy distribution > TIFAST - wiring systems > Vertical distribution up to 1600A




TKC160L2

Connection kit for M1 160 with busbars in aluminium in internal busbar compartment depth 600-850mm - section 20x5mm - step 75mm - vertical installation

Technical features

Standard reference	CEI EN 61439-1/2
Rated current	250-400A
Series	Tifast

Documentation

 [Instructions Sheet](#)