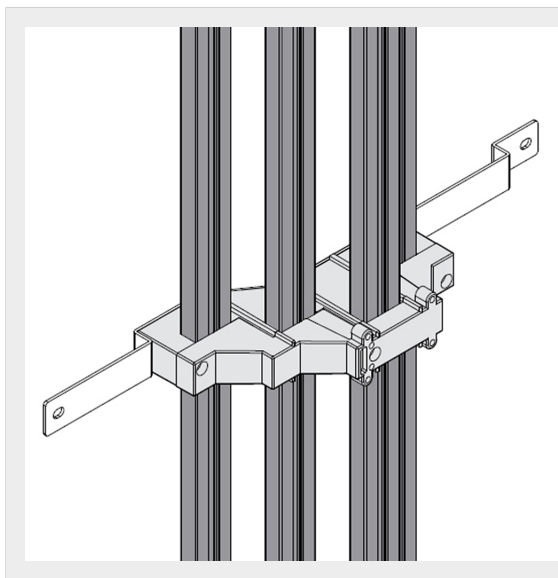


BTICINO > Low voltage energy distribution > TIFAST - wiring systems > Vertical distribution up to 800A




TI400SFE

Busbar ladder insulator (bottom/head) for 4 busbars up to 630A to install in external compartment 422mm for MAS800-4000

Technical features

Standard reference	CEI EN 61439-1/2
Rated current	250-400A
Series	Tifast

Documentation

 [Instructions Sheet](#)