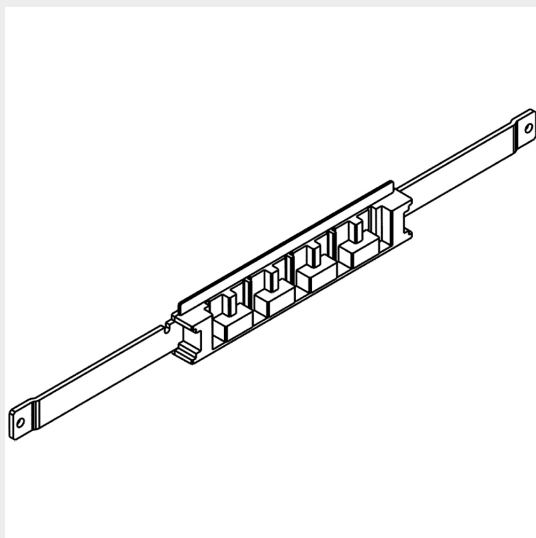


BTICINO > Low voltage energy distribution > TIFAST - wiring systems > Vertical distribution up to 400A




TI400F1FA

Busbar- holder (bottom/head) for 4 busbars installed on FONDOATTIVO in MAS400 width 600mm

Technical features

Standard reference	CEI EN 61439-1/2
Rated current	250-400A
Series	Mas

Documentation

 [Mas400 catalogue](#)

Related products