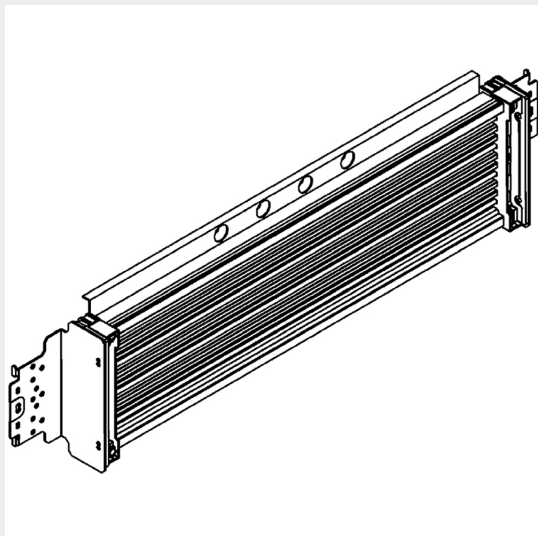


BTICINO > Low voltage energy distribution > TIFAST - wiring systems > Horizontal distribution EASY 250/400




TG400AM36

Busbar system supplied width 850mm 36 modules - In=400A - for distribution boards and cabinets MAS800

Technical features

Width	850mm
N° of modules	36
Standard reference	CEI EN 61439-1/2
Rated current	400A
Series	Tifast

Documentation

 [Instructions Sheet](#)

Related products

