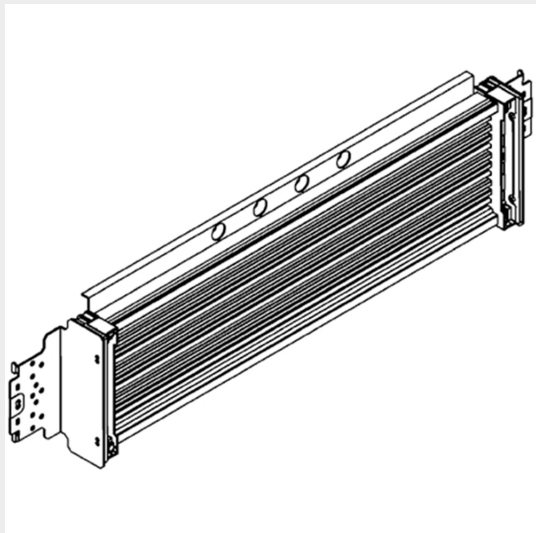


BTICINO > Low voltage energy distribution > TIFAST cabling system and terminals > TIFAST - wiring systems > Horizontal distribution EASY 250/400



TG250AM36

Busbar system supplied width 850mm 36 modules - $I_n=250A$ - for distribution boards and cabinets MAS800

Technical features

Brand	BTicino
Standard reference	CEI EN 61439-1/2
Rated current	250A
N° of modules	36
Width	850mm
Series	Tifast

Documentation

 [Instruction Sheet](#)

Related products



TCAL400

Supply module for Easy TIFAST 250/400 and busbars in lateral compartment



TC160P4

Base for Megatiker M1 160 - 4P



TC250P4

Base for Megatiker M2 250 - 4P



TC80NP

Base for connection plug-in BT DIN 1P - N - blue



TC80L1P

Base for connection plug-in BT DIN 1P - L1 - brown



TC80L2P

Base for connection plug-in BT DIN 1P - L2 - grey



TC80L3P

Base for connection plug-in BT DIN 1P - L3 - black



TC80P3P

Base for connection plug-in BT DIN 3P - L1+L2+L3



TC80P4P

Base for connection plug-in BT DIN 4P - L1+L2+L3+N