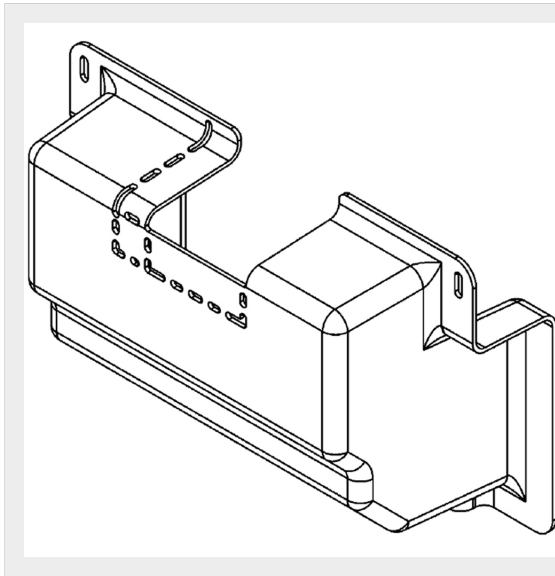


BTICINO > Low voltage energy distribution > TIFAST - wiring systems > Vertical distribution up to 400A



TCC160

Protection cover IP20 for MEGATIKER M1 160 and M2 250 in MAS400

Technical features

Standard reference	CEI EN 61439-1/2
Rated current	250-400A
Series	Tifast