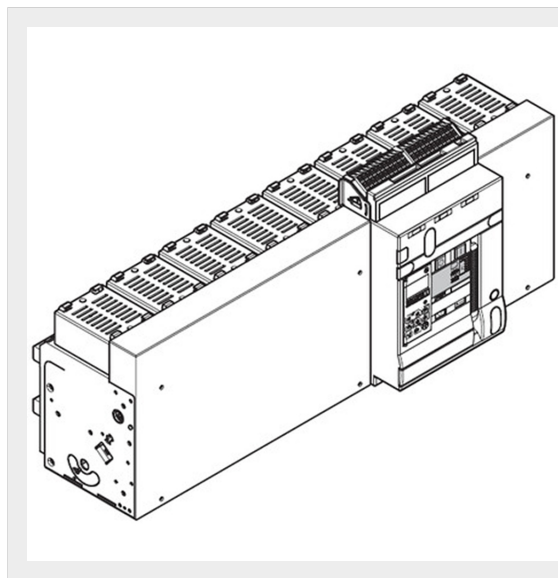


BTICINO > Low voltage energy distribution > MEGABREAK - Air circuit breakers > Fixed circuit breakers Icu=100kA







T804L6300

Fixed version air circuit breaker 4P - In= 6300A - Ue= 690Vac - Icu= 100kA - Frame 3

Technical features

| | |
|----------------------------|----------------|
| Height | 473mm |
| Width | 1057mm |
| Depth | 298mm |
| Standard reference | CEI EN 60947-2 |
| N° of poles | 4P |
| Ultimate breaking capacity | 100kA |
| Icu | |
| Rated voltage | 690Vac |
| Rated current | 6300A |
| Series | Megabreak |

Documentation

-  [Technical Data Sheet](#)
-  [Instructions Sheet](#)
-  [Instructions Sheet](#)
-  [Catalogue Megabreak](#)

Related products



MP4/BA

Standard electronic control unit with protection LI (overload and shortcircuit)



MP4/SA

Standard electronic control unit with protection LSI (overload and shortcircuit)



MP4/TA

Standard electronic control unit with protection LSGI (overload, shortcircuit and earth fault)



MP6SH

Touch screen electronic control unit with protection LSI (overload and shortcircuit)



MP6TH

Touch screen electronic control unit with protection LSGI (overload, shortcircuit and earth fault)