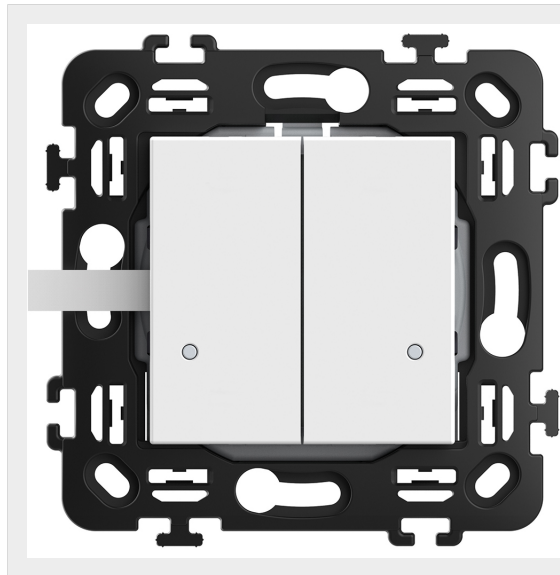


BTICINO > Wiring devices > Classia > Classia Smart - European version > Wireless controls for light and shutters



## RW4003DCW

Wireless light switch. It is equipped with two buttons to control two different connected devices for lights. Each single button can be associated with one or more devices. Surface installation with repositionable stickers (supplied) or onto a flush mounting box. Integrated LED for low battery indication. Powered by battery 3V type CR2032 (supplied) with an autonomy of 8 years - 2 modules - white

## Documentation

 [Classia Catalogue](#)