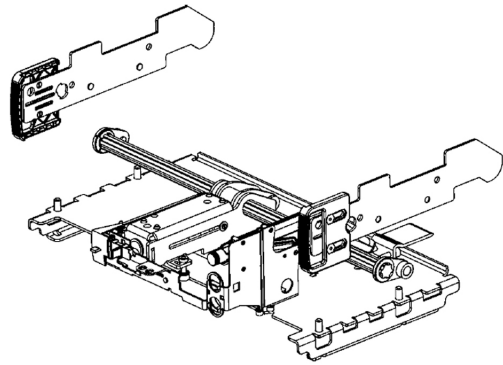


BTICINO > Low voltage energy distribution > Circuit breakers for protection > MEGABREAK - Air circuit breakers > Accessories for draw-out version

M804P2




Kit to transform fixed circuit breakers in draw-out version - 4P
from 3200 to 4000A



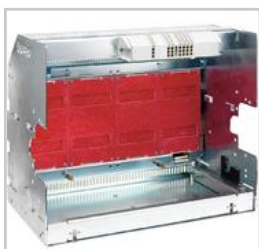
Technical features

Brand	BTicino
Rated current	3200-4000A
N° of poles	4P
Series	Megabreak

Documentation

-  [Instruction Sheet](#)
-  [Instruction Sheet](#)
-  [Catalogue Megabreak](#)

Related products



M804B2

Draw-out base for circuit
breakers 4P from 3200
to 4000A

We, Bticino S.p.A Viale Borri 231 21100 Varese (Italy), declare that all items listed in Bticino catalogues, have been manufactured in compliance with the principal elements of safety objectives of European Directive said LVD: 2014/35/EU: 26 February 2014 and, where requested, also in compliance with essential protection requirements of electromagnetic compatibility according to European Directive 2014/30/EU: 26 February 2014, and/or where requested also in compliance with 1995/5/CE: 9 March 1999 "R&TTE" or where requested also in compliance with 2014/53/EU: 16 April 2014 "RED". Bticino S.p.A. products are in compliance with the standard published by the International Electrotechnical Commission (IEC). The compliance can be proved by Certificates issued by organizations recognized by IEC according to the CB-scheme. Our items comply with relevant European Product- Standards and show, whether provided, CE marking, they have been constructed in accordance with good engineering practice in safety matters in force in the Community, they do not endanger the safety of persons, domestic animals or property when properly installed and maintained and used in applications for which they were made.