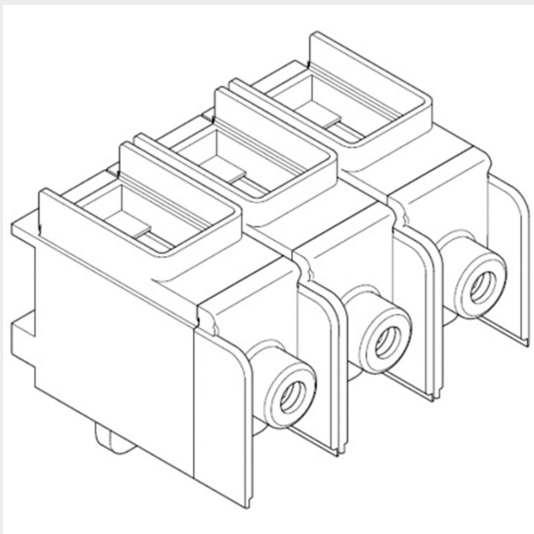


BTICINO &gt; Low voltage energy distribution &gt; MEGATIKER - moulded case circuit breakers &gt; Connection accessories



## M7X07

Kit of 3 terminal cages for cables 1x120mm (flexible) 1x150mm (rigid), for M1 160 version 3P

### Technical features

N° of poles	3P
Rated current	160A
Series	Megatiker

### Documentation

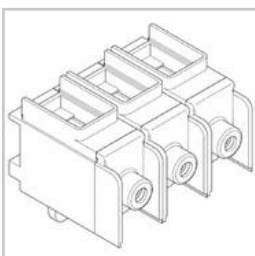
-  [Instructions Sheet](#)
-  [Instructions Sheet](#)
-  [Catalogue Megatiker](#)

### Related products



#### M7X08

Chest with screw and nut for cable gland mounting for M1 160 in version 3P



#### M7X27

Kit of 3 terminal cages for cables 1x70mm (flexible) 1x95mm (rigid), for M1 160 version 3P