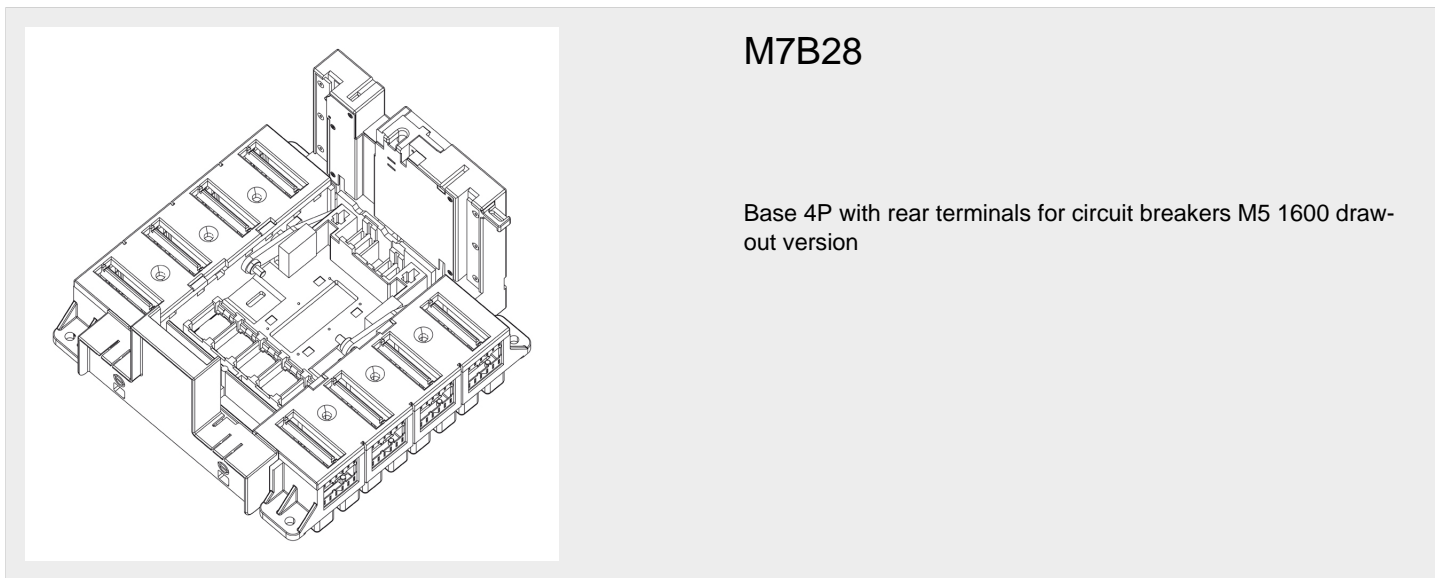




BTICINO > Low voltage energy distribution > MEGATIKER - moulded case circuit breakers > Accessories for draw-out/plug-in version



Technical features

Standard reference	CEI EN 60947-2
N° of poles	4P
Series	Megatiker

Documentation

-  [Instruction Sheet](#)
-  [Catalogue Megatiker](#)