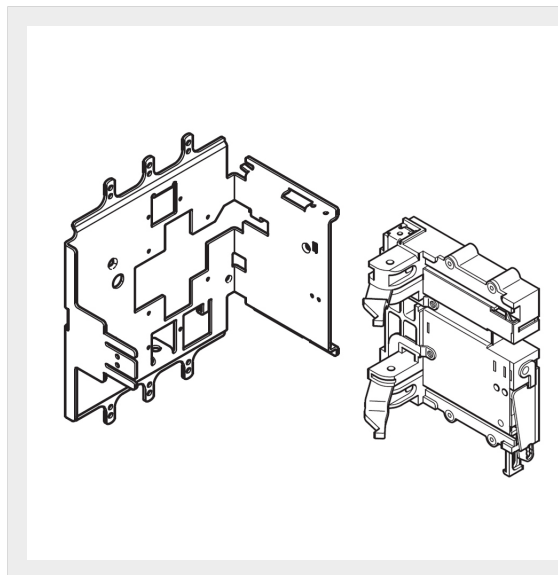


BTICINO > Low voltage energy distribution > Circuit breakers for protection > MEGATIKER - moulded case circuit breakers > Accessories for draw-out/plug-in version




M7B23

Transformation kit to apply at the plug-in bases 4P for circuit breakers M4 630

Technical features

Brand	BTicino
Standard reference	CEI EN 60947-2
N° of poles	4P
Series	Megatiker

Documentation

 [Instruction Sheet](#)