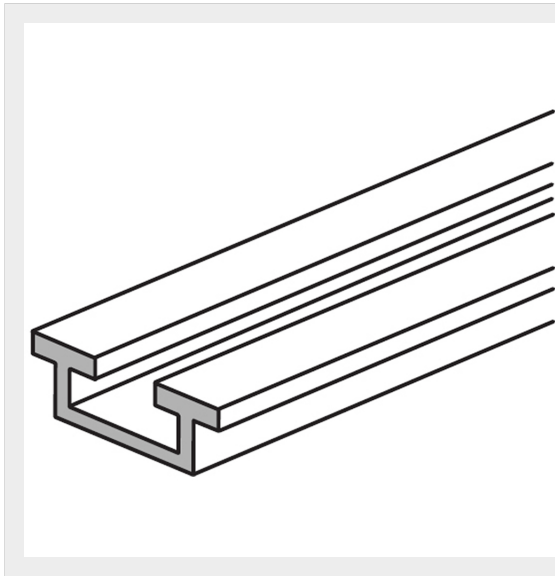


BTICINO > Low voltage energy distribution > TIFAST - wiring systems > Copper vertical distribution from 400 to 1250A



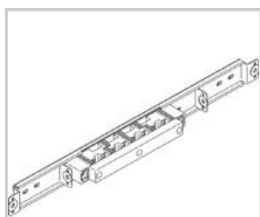
## FB630

Copper busbar with "C" shape - length 1600mm - In=630A

### Technical features

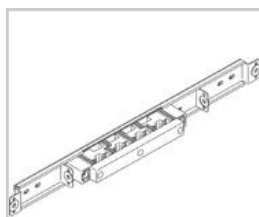
Standard reference	CEI EN 61439-1/2
Rated current	630A
Series	Tifast

## Related products



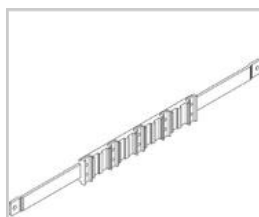
### FBC/600N

Busbar insulator  
(bottom) for cabinets  
MDX800 and HDX -  
width 600mm -  
In=250-630A



### FBC/850N

Busbar insulator  
(bottom) for cabinets  
MDX800 and HDX -  
width 850mm -  
In=250-630A



### FBI/600N

Busbar insulator  
(intermediate) for  
cabinets MDX800 and  
HDX - width 600mm -  
In=250-630A



### FBI/850N

Busbar insulator  
(intermediate) for  
cabinets MDX800 and  
HDX - width 850mm -  
In=250-630A



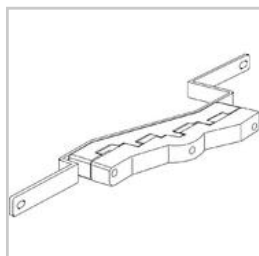
### FBS/850HN

Busbar ladder insulator  
for cabinets HDX - width  
850mm - In=250-630A



### FBS/850N

Busbar ladder insulator  
for cabinets MDX800 -  
width 850mm -  
In=250-630A



### FBS/VBE

Busbar ladder insulator  
for cabinets and  
internal/external  
compartments MDX800  
and HDX - width  
850mm...