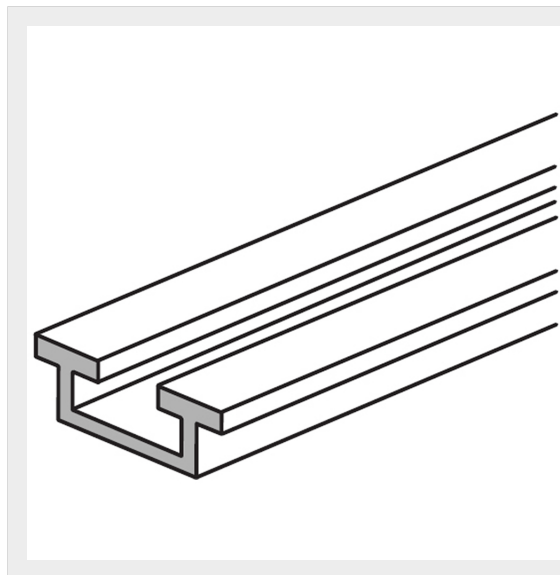


BTICINO > Low voltage energy distribution > TIFAST cabling system and terminals > TIFAST - wiring systems > Copper vertical distribution from 400 to 1250A



FB400

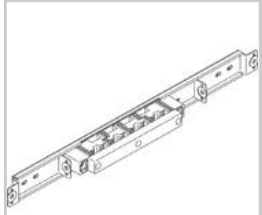
Copper busbar with "C" shape - length 1600mm - In=400A

Technical features

Brand	BTicino
Standard reference	CEI EN 61439-1/2
Rated current	400A
Height	1.6m
Length	1.6m
Series	Tifast

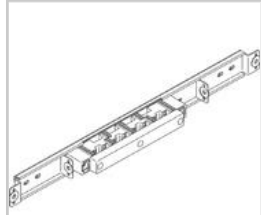
We, Bticino S.p.A Viale Borri 231 21100 Varese (Italy), declare that all items listed in Bticino catalogues, have been manufactured in compliance with the principal elements of safety objectives of European Directive said LVD: 2014/35/EU: 26 February 2014 and, where requested, also in compliance with essential protection requirements of electromagnetic compatibility according to European Directive 2014/30/EU: 26 February 2014, and/or where requested also in compliance with 1995/5/CE: 9 March 1999 "R&TTE" or where requested also in compliance with 2014/53/EU: 16 April 2014 "RED". Bticino S.p.A, products are in compliance with the standard published by the International Electrotechnical Commission (IEC). The compliance can be proved by Certificates issued by organizations recognized by IEC according to the CB-scheme. Our items comply with relevant European Product- Standards and show, whether provided, CE marking, they have been constructed in accordance with good engineering practice in safety matters in force in the Community, they do not endanger the safety of persons, domestic animals or property when properly installed and maintained and used in applications for which they were made.

Related products



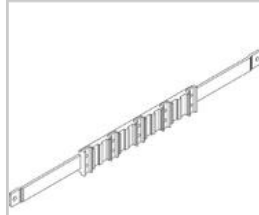
FBC/600N

Busbar insulator (bottom) for cabinets MDX800 and HDX - width 600mm - In=250-630A



FBC/850N

Busbar insulator (bottom) for cabinets MDX800 and HDX - width 850mm - In=250-630A



FBI/600N

Busbar insulator (intermediate) for cabinets MDX800 and HDX - width 600mm - In=250-630A



FBI/850N

Busbar insulator (intermediate) for cabinets MDX800 and HDX - width 850mm - In=250-630A



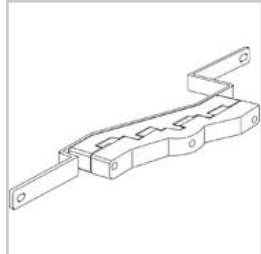
FBS/850HN

Busbar ladder insulator for cabinets HDX - width 850mm - In=250-630A



FBS/850N

Busbar ladder insulator for cabinets MDX800 - width 850mm - In=250-630A



FBS/VBE

Busbar ladder insulator for cabinets and internal/external compartments MDX800 and HDX - width 850mm...