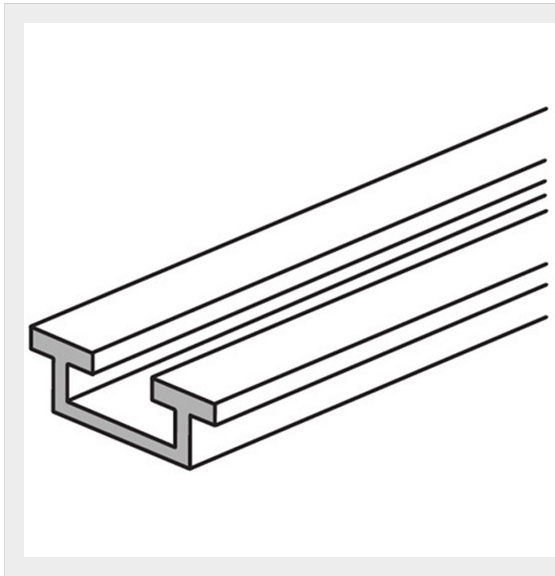


BTICINO > Low voltage energy distribution > TIFAST - wiring systems > Copper vertical distribution from 400 to 1250A



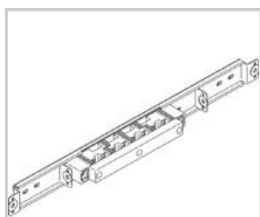
FB250

Copper busbar with "C" shape - length 1600mm - In=250A

Technical features

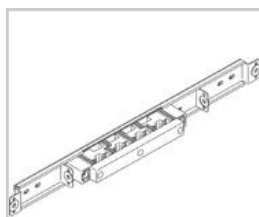
Height	1,6m
Length	1,6m
Standard reference	CEI EN 61439-1/2
N° of poles	1P
Rated current	250A
Series	Tifast

Related products



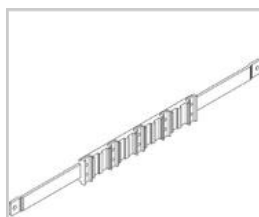
FBC/600N

Busbar insulator
(bottom) for cabinets
MDX800 and HDX -
width 600mm -
In=250-630A



FBC/850N

Busbar insulator
(bottom) for cabinets
MDX800 and HDX -
width 850mm -
In=250-630A



FBI/600N

Busbar insulator
(intermediate) for
cabinets MDX800 and
HDX - width 600mm -
In=250-630A



FBI/850N

Busbar insulator
(intermediate) for
cabinets MDX800 and
HDX - width 850mm -
In=250-630A



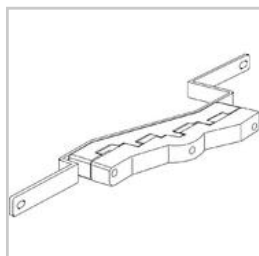
FBS/850HN

Busbar ladder insulator
for cabinets HDX - width
850mm - In=250-630A



FBS/850N

Busbar ladder insulator
for cabinets MDX800 -
width 850mm -
In=250-630A



FBS/VBE

Busbar ladder insulator
for cabinets and
internal/external
compartments MDX800
and HDX - width
850mm...