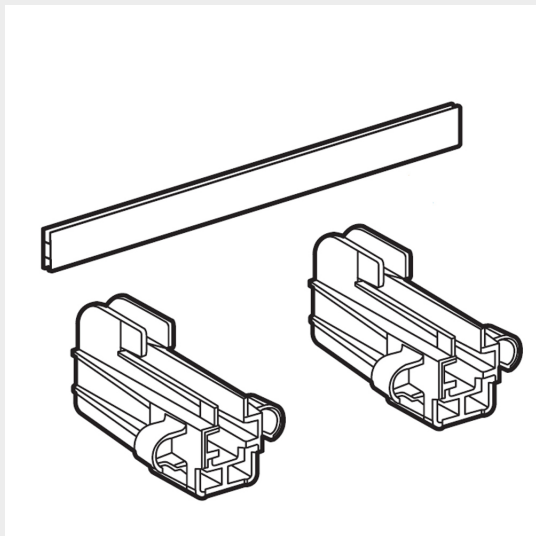


BTICINO > Low voltage energy distribution > Distribution boards and enclosures > Switchboards > Accessories for LINEA WALL wall mounted switchboards




## F305KA

Kit for vertical and horizontal side-mounting for 18 module switchboards

### Technical features

Brand	BTicino
Series	Linea Wall

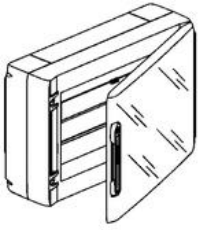
### Documentation

 [Instruction Sheet](#)

### Certifications



## Related products



### F305PT18

Wall mounted  
switchboard with box  
and transparent door, 18  
x DIN35 modules  
(300x450x150mm).  
Complian...