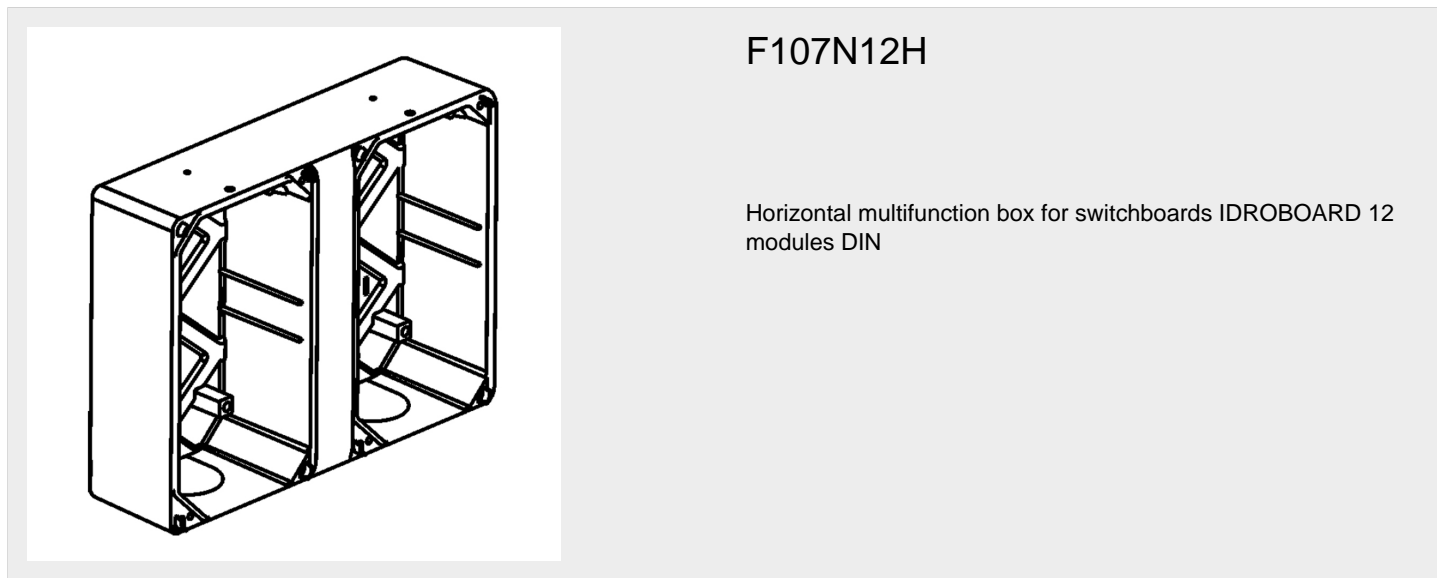


BTICINO > Low voltage energy distribution > Switchboards > Wall mounted IDROBOARD switchboards IP65



F107N12H

Horizontal multifunction box for switchboards IDROBOARD 12 modules DIN

Technical features

Height	220mm
Width	340mm
Series	Idroboard

Related products



F107N36D3

IDROBOARD resin wall-mounting switchboard IP65 for 36 modules DIN (3x12)



F107N24D

IDROBOARD resin wall-mounting switchboard IP65 for 24 modules DIN (2x12)