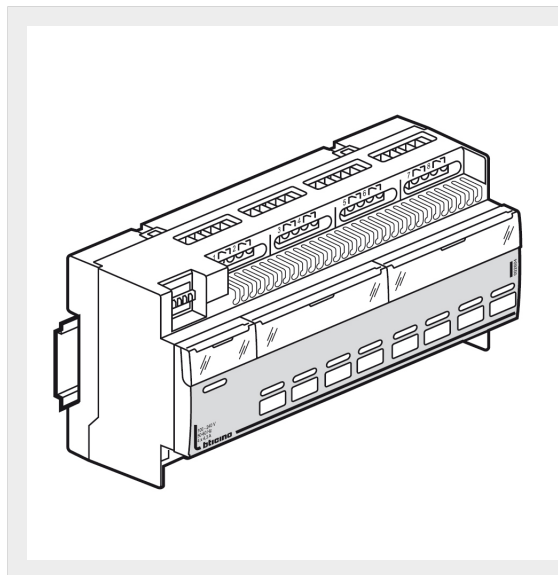


BTICINO &gt; Wiring devices &gt; Stand alone solutions for lighting management &gt; Room Controller







## BMSW1005

Actuator SCS ON/OFF, "Zero Crossing" technology, 8 output with maximum load 16 A at 230Vac, terminal connection and RJ45, protection degree IP20, 10 modules DIN, power supply 100/240Vac 50/60 Hz, pushbutton for Push&Learn procedure, pushbutton for direct command of the load

### Technical features

Brand	BTicino
Rated voltage	100/240 Vac
N° of modules	10
Series	MyHome

### Documentation

-  [DWG drawing](#)
-  [Technical guide](#)
-  [Technical guida](#)
-  [Living Now english catalogue](#)