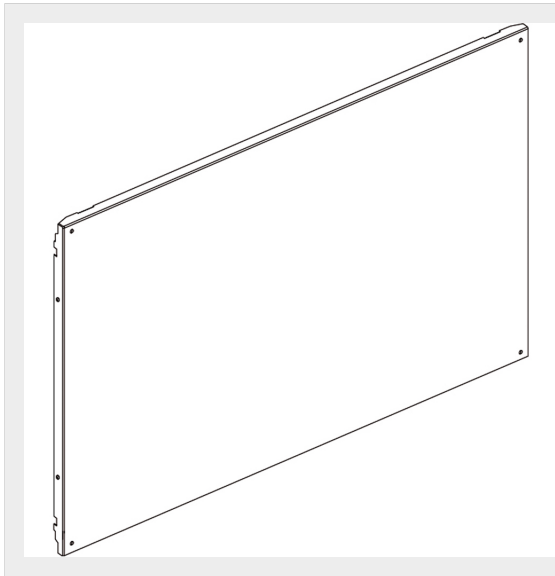


BTICINO > Low voltage energy distribution > MAS400 - Compact distribution boards and cabinets > Metal sheet blanking module with 4 screws





**9782**

Blank front panel with 4 screws 850x600mm

Technical features

Height	600mm
Width	850mm
Standard reference	CEI EN 61439-1/2
Series	Mas

Documentation

-  [Instructions Sheet](#)
-  [Mas800 catalogue](#)
-  [Mas400 catalogue](#)
-  [Mas4000 catalogue](#)