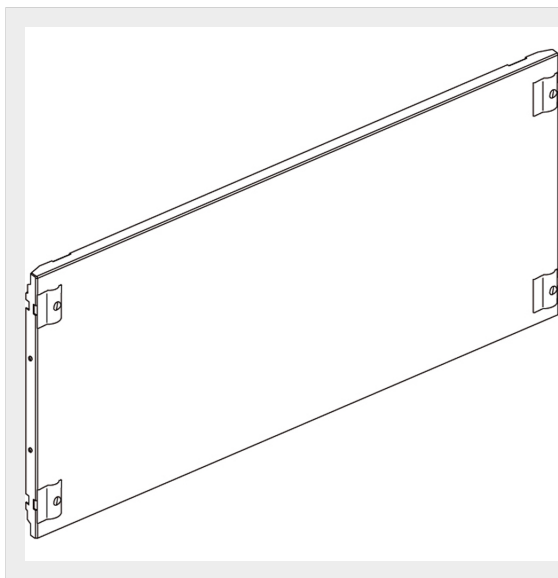


BTICINO &gt; Low voltage energy distribution &gt; MAS400 - Compact distribution boards and cabinets &gt; Metal sheet blanking module with 1/4 turn






**9781Q**

Blank front panel with screws 1/4 turn 850x400mm

## Technical features

Height	400mm
Width	850mm
Standard reference	CEI EN 61439-1/2
Series	Mas

## Documentation

-  [\\_DWG drawing\\_](#)
-  [Mas800 catalogue](#)
-  [Mas400 catalogue](#)
-  [Mas4000 catalogue](#)