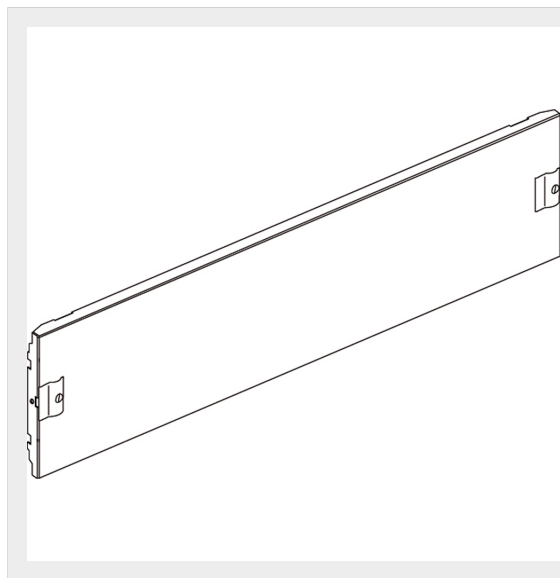


BTICINO > Low voltage energy distribution > MAS400 - Compact distribution boards and cabinets > Metal sheet blanking module with 1/4 turn







9780Q

Blank front panel with screws 1/4 turn 850x200mm

Technical features

| | |
|--------------------|------------------|
| Height | 200mm |
| Width | 850mm |
| Standard reference | CEI EN 61439-1/2 |
| Series | Mas |

Documentation

-  [_DWG drawing_](#)
-  [_DWG drawing_](#)
-  [Mas800 catalogue](#)
-  [Mas400 catalogue](#)
-  [Mas4000 catalogue](#)