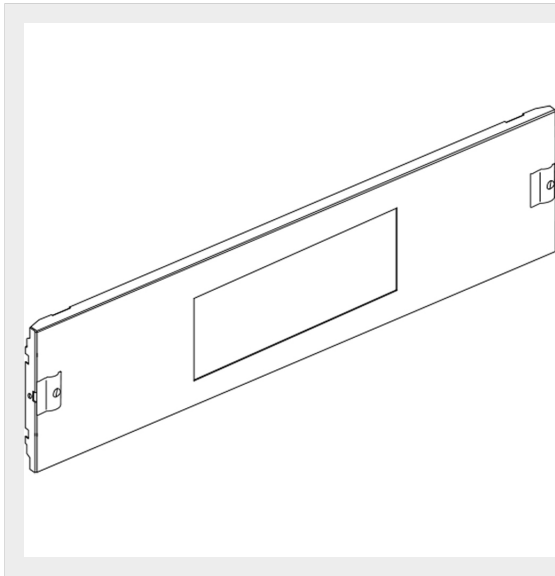


BTICINO &gt; Low voltage energy distribution &gt; MAS400 - Compact distribution boards and cabinets &gt; Ventilation panels and for measurement instruments





## 9780AVQ

Front panel for forced ventilation with screws 1/4 turn  
850x200mm

### Technical features

Height	200mm
Width	850mm
Standard reference	CEI EN 61439-1/2
Series	Mas

### Documentation

-  [DWG drawing](#)
-  [Mas400 catalogue](#)