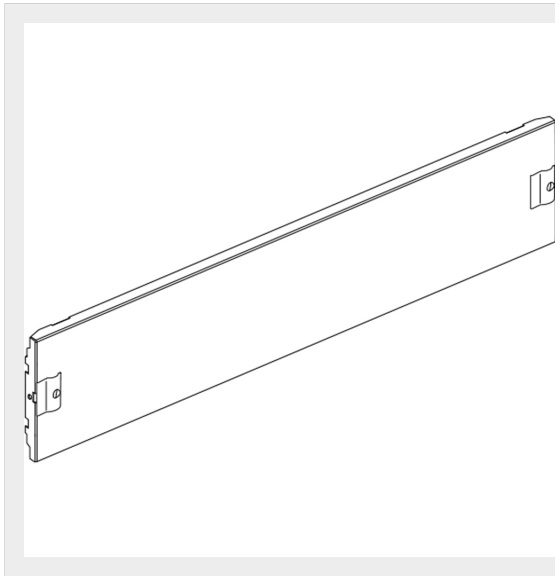


BTICINO > Low voltage energy distribution > MAS400 - Compact distribution boards and cabinets > Metal sheet blanking module with 1/4 turn





**9779Q**

Blank front panel with screws 1/4 turn 850x150mm

Technical features

Height	150mm
Width	850mm
Standard reference	CEI EN 61439-1/2
Series	Mas

Documentation

-  [_DWG drawing_](#)
-  [Mas800 catalogue](#)
-  [Mas400 catalogue](#)
-  [Mas4000 catalogue](#)