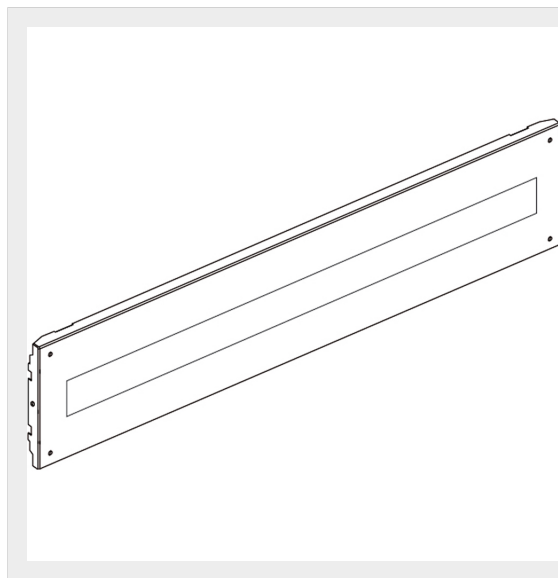


BTICINO > Low voltage energy distribution > MAS400 - Compact distribution boards and cabinets > Panels with DIN35 window







9779/36

 Front panel with 4 screws and DIN35 window for 36 modules
850x150mm

Technical features

Height	150mm
Width	850mm
Standard reference	CEI EN 61439-1/2
Series	Mas

Documentation

-  [Instructions Sheet](#)
-  [_DWG drawing_](#)
-  [Mas800 catalogue](#)
-  [Mas400 catalogue](#)
-  [Mas4000 catalogue](#)

Related products



93800NC

DIN35 rail - width
850mm - 36 modules -
for distribution boards
and cabinets MAS400



93800N

DIN35 rail - width
850mm - 36 modules -
for distribution boards
and cabinets MAS800