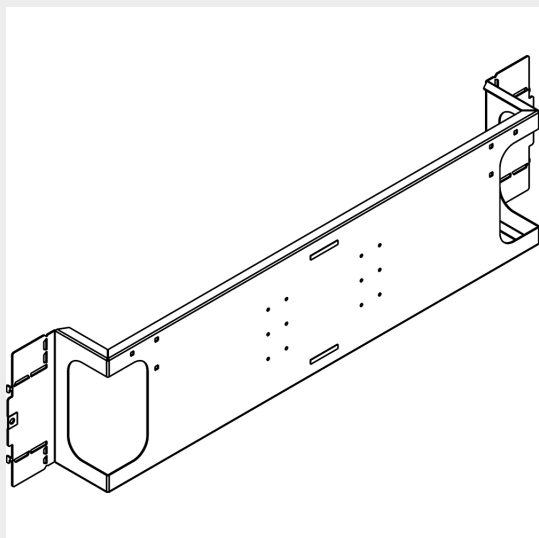


BTICINO &gt; Low voltage energy distribution &gt; MAS800 - Distribution boards and cabinets &gt; Fixing plates






## 9741P250N

Fixing plate for circuit breakers M2 250 fixed version front terminals horizontal width 850mm

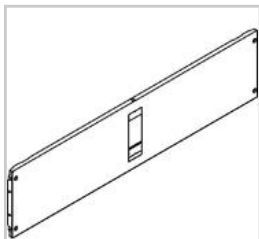
### Technical features

Width	850mm
Standard reference	CEI EN 61439-1/2
Series	Mas

### Documentation

-  [Instruction Sheet](#)
-  [Mas800 catalogue](#)
-  [Mas4000 catalogue](#)

### Related products



## 9741ME250N

Front panel for circuit breakers M1 160 and M2 250 fixed version horizontal 850x200mm