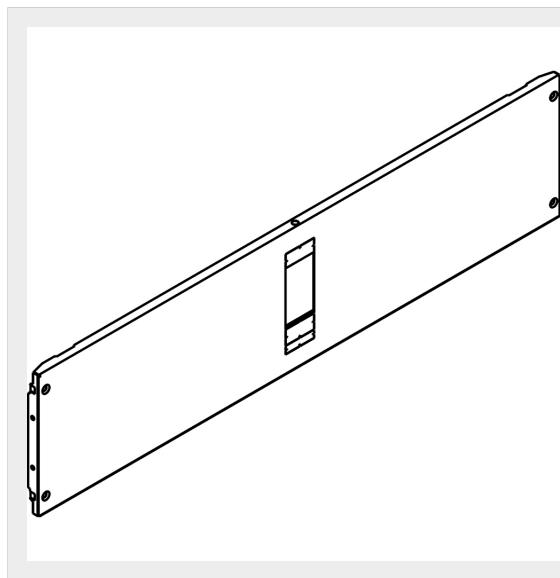


BTICINO > Low voltage energy distribution > MAS800 - Distribution boards and cabinets > Front cover panels for MEGATIKER





9741ME250N

Front panel for circuit breakers M1 160 and M2 250 fixed version horizontal 850x200mm

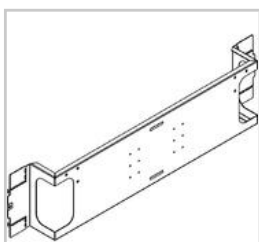
Technical features

Height	200mm
Width	850mm
Standard reference	CEI EN 61439-1/2
Series	Mas

Documentation

-  [Mas800 catalogue](#)
-  [Mas4000 catalogue](#)

Related products



9741P250N

Fixing plate for circuit breakers M2 250 fixed version front terminals horizontal width 850mm