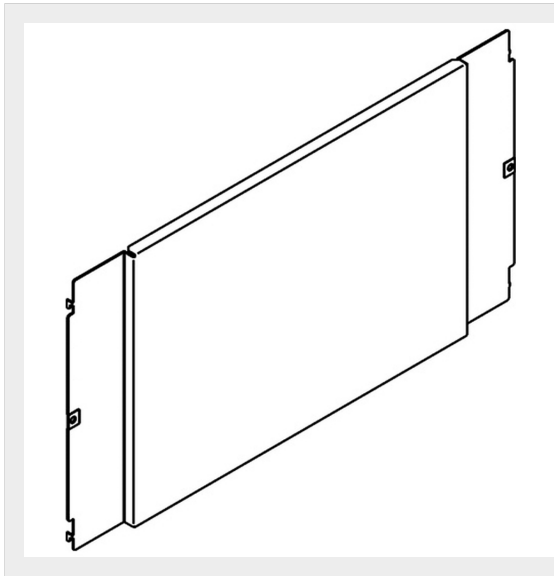


BTICINO > Low voltage energy distribution > MAS400 - Compact distribution boards and cabinets > Device-holder panels




**9544L**

Metal sheet internal plate 850x600mm

Technical features

| | |
|--------------------|------------------|
| Height | 600mm |
| Width | 850mm |
| Standard reference | CEI EN 61439-1/2 |
| Series | Mas |

Documentation

-  [Mas800 catalogue](#)
-  [Mas400 catalogue](#)
-  [Mas4000 catalogue](#)