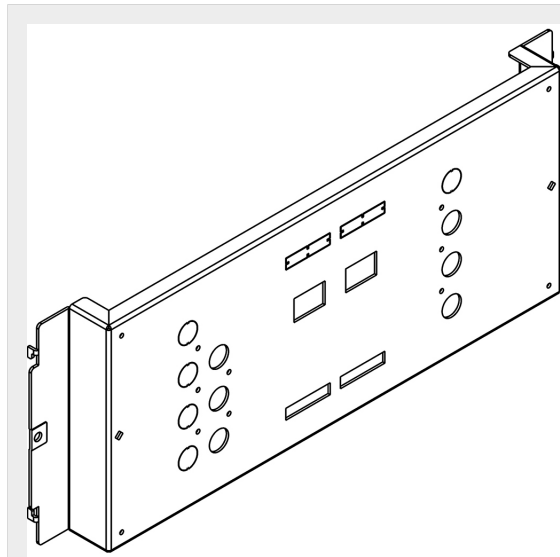


BTICINO > Low voltage energy distribution > Distribution boards and enclosures > MAS4000 - Power Center cabinets > Fixing plates





9541PR250N

Fixing plate for circuit breakers M2 250 plug-in version front/rear terminals horizontal width 600mm

Technical features

Brand	BTicino
Standard reference	CEI EN 61439-1/2
Width	600mm
Series	Mas

Documentation

-  [Instruction Sheet](#)
-  [Mas4000 catalogue](#)