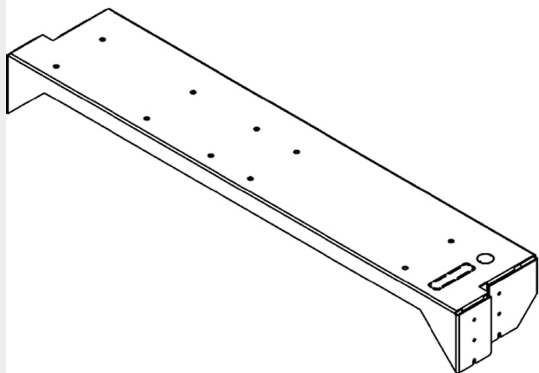


BTICINO > Low voltage energy distribution > MAS4000 - Power Center cabinets > Fixing plates

9533P12F


Fixing plate for MEGABREAK da 6300A draw-out version
600x1300mm



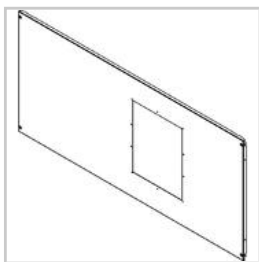
Technical features

Height	600mm
Width	1300mm
Series	Mas

Documentation

 [Mas4000 catalogue](#)

Related products



9533C12F

Front panel with 4
screws for
MEGABREAK Frame 3
in fixed and draw-out
version 1300x600mm