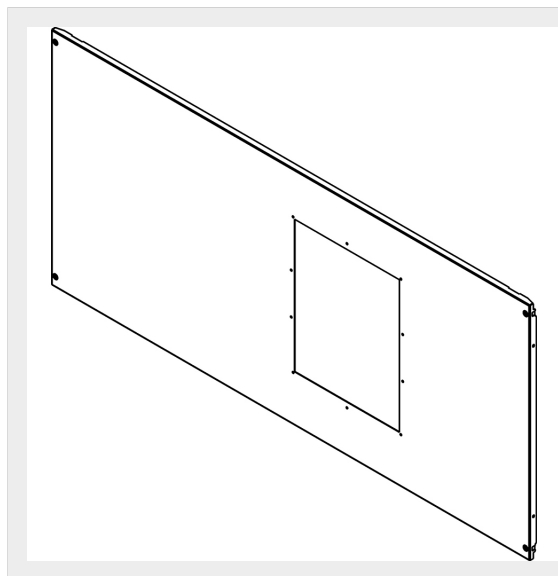


BTICINO > Low voltage energy distribution > MAS4000 - Power Center cabinets > Front cover panels for MEGABREAK




9533C12F

Front panel with 4 screws for MEGABREAK Frame 3 in fixed and draw-out version 1300x600mm

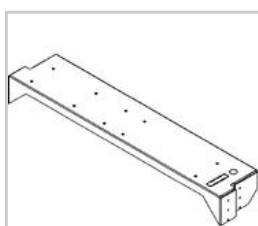
Technical features

Height	600mm
Width	1300mm
Standard reference	CEI EN 61439-1/2
Series	Mas

Documentation

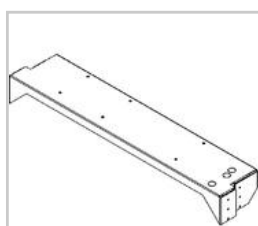
 [Mas4000 catalogue](#)

Related products



9533P12F

Fixing plate for MEGABREAK da 6300A draw-out version 600x1300mm



9533P12E

Fixing plate for MEGABREAK da 6300A draw-out version 600x1300mm