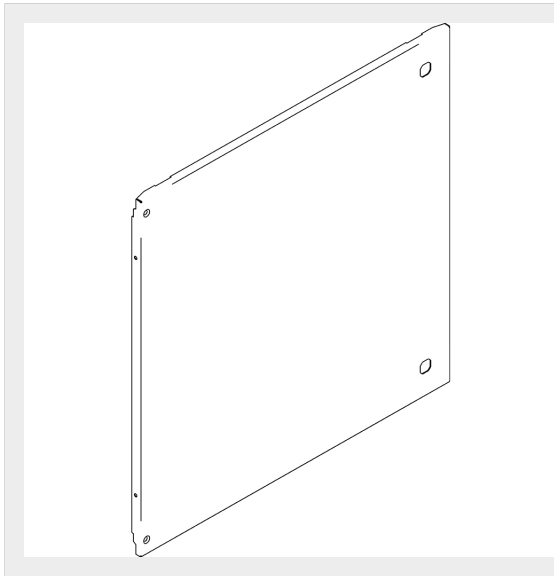


BTICINO > Low voltage energy distribution > MAS400 - Compact distribution boards and cabinets > Metal sheet blanking module with hinge







9531CS

Blank front panel with hinge and lock 600x400mm

Technical features

Height	400mm
Width	600mm
Standard reference	CEI EN 61439-1/2
Series	Mas

Documentation

-  [DWG drawing](#)
-  [Mas800 catalogue](#)
-  [Mas400 catalogue](#)
-  [Mas4000 catalogue](#)