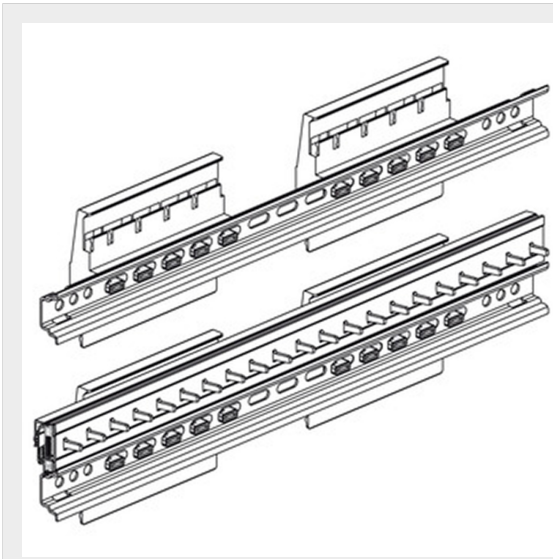


BTICINO > Low voltage energy distribution > TIFAST cabling system and terminals > TIFAST - wiring systems > TIFAST Pettini



94000SNR

Support for combs fixing on DIN35 rail for MAS160

Technical features

Brand	BTicino
-------	---------

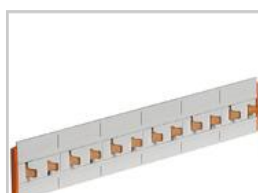
Series	Tifast
--------	--------

Related products



FP18/2P

Cabling comb for Btdin 2P - 18 modules DIN - In 63A (lateral feed) o 80A (central feed) for switchbo...



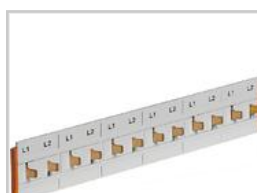
FP12/1P

Cabling comb for Btdin 1P - 12 modules DIN - In 63A (lateral feed) or 80A (central feed) for switchb...



FP36/3P

Cabling comb for Btdin 3P - 36 modules DIN - In 80A (lateral feed) o 100A (central feed)



FP12/2P

Cabling comb for Btdin 2P - 12 modules DIN - In 63A (lateral feed) o 80A (central feed) for switchbo...



FP36/4PB

Cabling comb 3P+N for Btdin 2P - 36 modules DIN - In 80A (lateral feed) or 100A (central feed) with ...



FP24/3P

Cabling comb for Btdin 3P - 24 modules DIN - In 80A (lateral feed) o 100A (central feed)



FP36/1P

Cabling comb for Btdin 1P - 36 modules DIN - In 80A (lateral feed) o 100A (central feed)



FP24/4PB

Cabling comb 3P+N for Btdin 2P - 24 modules DIN - In 80A (lateral feed) or 100A (central feed) with ...



FP36/2P

Cabling comb for Btdin 2P - 36 modules DIN - In 80A (lateral feed) o 100A (central feed)



FP24/1P

Cabling comb for Btdin 1P - 24 modules DIN - In 80A (lateral feed) or 100A (central feed)