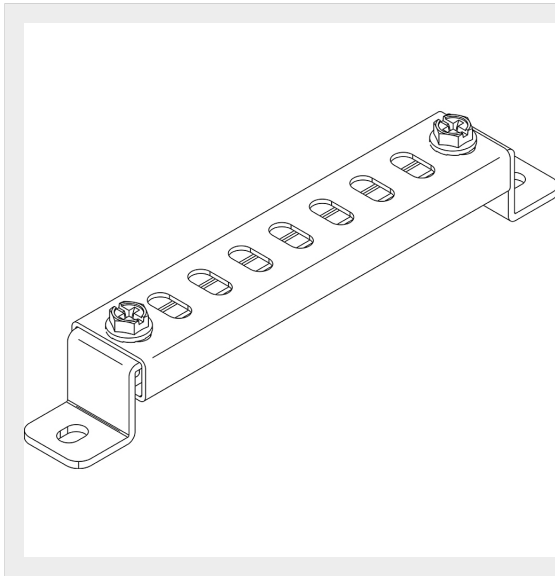


BTICINO > Low voltage energy distribution > MAS400 - Compact distribution boards and cabinets > Cable fixing traverses





93300TRO

Cross-pieces for fastening cables (front) for LDX400

Technical features

Standard reference	CEI EN 61439-1/2
Series	Mas

Documentation

-  [Instructions Sheet](#)
-  [Mas400 catalogue](#)