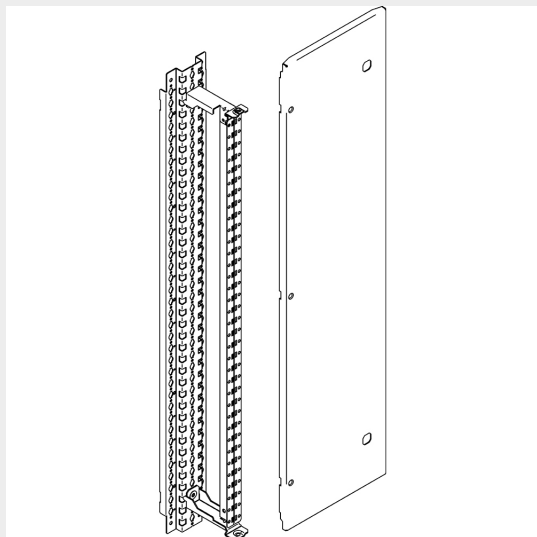


BTICINO > Low voltage energy distribution > Distribution boards and enclosures > MAS400 - Compact distribution boards and cabinets > Internal and external busbar compartment




93090QB

Kit for internal busbar compartment for cabinets LDX400 height 1800mm

Technical features

| | |
|--------------------|------------------|
| Brand | BTicino |
| Standard reference | CEI EN 61439-1/2 |
| Height | 1.8m |
| Series | Mas 400 |

Documentation

 [Mas400 catalogue](#)