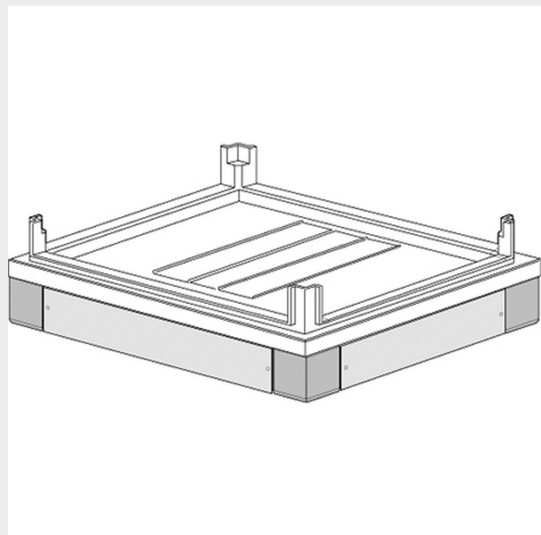


BTICINO > Low voltage energy distribution > Distribution boards and enclosures > MAS4000 - Power Center cabinets > Plinths for cabinets




91811N126

Plinth for HDX cabinets 1300x600mm (cabinets for 6300A)

Technical features

Brand	BTicino
Standard reference	CEI EN 61439-1/2
Height	100mm
Width	1.3m
Depth	600mm
Series	Mas 4000

Documentation

 [Mas4000 catalogue](#)

Related products



91801N126

Kit of top and base
reinforced for cabinets
HDX 6300A -
1300x600mm with cable
entry