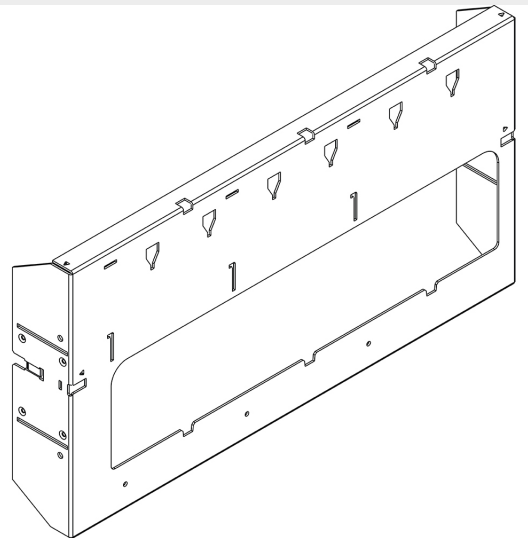


BTICINO > Low voltage energy distribution > Distribution boards and enclosures > MAS4000 - Power Center cabinets > Frames




9061T/TN

Frame for M160-630E fixed version vertical with rear terminals for item 9002S and 9004S width 600mm

Technical features

Brand	BTicino
Standard reference	CEI EN 61439-1/2
Width	600mm
Series	Mas

Documentation

 [Instruction Sheet](#)

Related products

