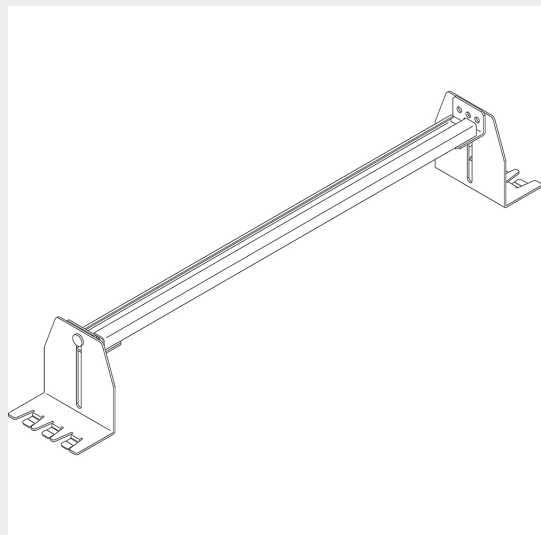


BTICINO > Low voltage energy distribution > Distribution boards and enclosures > MAS400 - Compact distribution boards and cabinets > Rails and supports




**72861N**

DIN32 rail for device fastening width 850mm

Technical features

Brand	BTicino
Standard reference	CEI EN 61439-1/2
Width	850mm
Length	850mm
Series	Mas

Documentation

-  [Mas800 catalogue](#)
-  [Mas400 catalogue](#)
-  [Mas4000 catalogue](#)