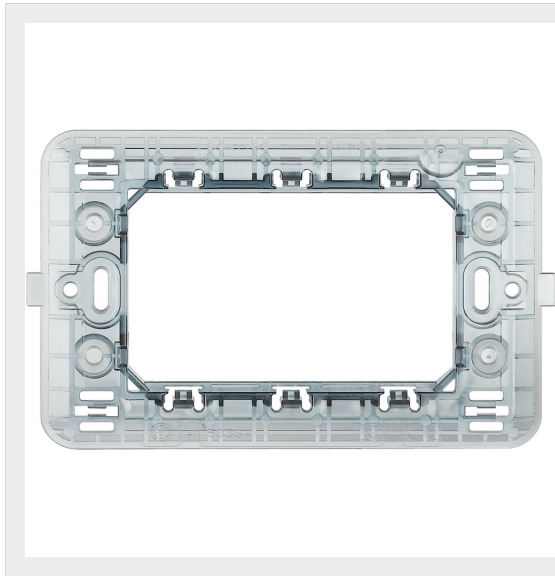


BTICINO > Wiring devices > Matix > Boxes and supports > Supports




503SA

Support 3 modules for box item 503E, item 503AP - for cover plates item 503/1A/..., item 503/2A/..., item 503/3A/..., AM4803..., AM4803M1

Technical features

N° of modules	3
Series	Matix

Documentation

 [Matix catalogue](#)

Certificazioni

