

8 relay actuator

F430R8

Description

This actuator can be used in temperature control systems to control different types of loads based on requirements.

Thanks to the 8 relays it is fitted with, the actuator can control:

- up to 8 On/off valves
- up to 4 Open/Close or 3-point valves
- up to 2 x 2-tube fan-coils with On/Off valves (4+4 relays)
- 1 x 2-tube fan-coil with 3-point valves (5 relays)
- 1 x 4-tube fan-coil with 2 On/Off valves (relays)
- 1 x 4-tube fan-coil with 2 x 3-point valves (7 relays).

Technical data

Power supply from SCS BUS:	18 – 27 Vdc
Stand by absorption:	15 mA
Max. absorption:	100 mA
Operating temperature:	(+5) – (+40) °C
Maximum driven power:	4 A (resistive); 1 A (inductive)

Dimensional data

4 DIN modules

Configuration

⊙	ZA	⊙
⊙	ZB	⊙
⊙	N	⊙
⊙	LOAD	⊙

ZA, ZB = Actuator address
 N = Progressive zone number
 LOAD = Type of load

LOAD = 0 Control of one 4-tube fan-coil with 2 On/Off valves

OUT1	Fan speed 1
OUT2	Fan speed 2
OUT3	Fan speed 3
OUT4	Heating valve
OUT5	Cooling valve
OUT6	Not used
OUT7	Not used
OUT8	Not used

LOAD = 1 Control of one 2-tube fan-coil with 3-point valves

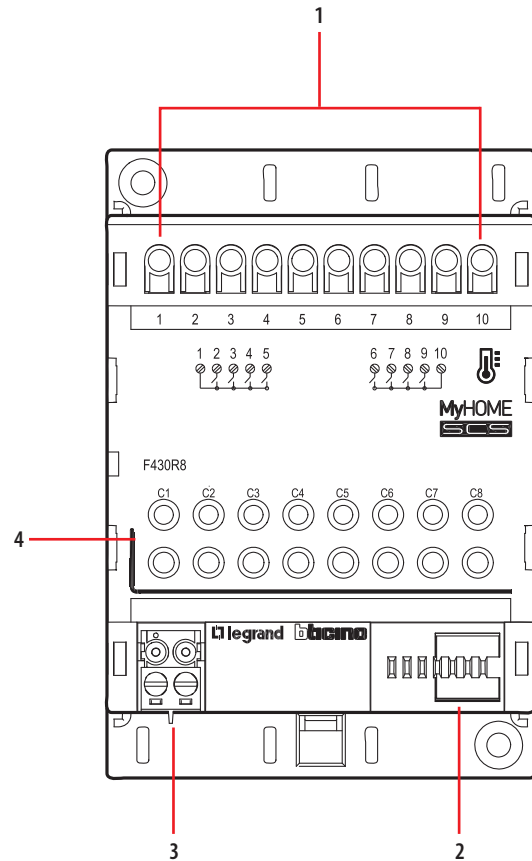
OUT1	Fan speed 1
OUT2	Fan speed 2
OUT3	Fan speed 3
OUT4	Valve opening
OUT5	Valve closure
OUT6	Not used
OUT7	Not used
OUT8	Not used

LOAD = 2 Control of one 4-tube fan-coil with 3-point valves

OUT1	Fan speed 1
OUT2	Fan speed 2
OUT3	Fan speed 3
OUT4	Heating valve opening
OUT5	Heating valve closure
OUT6	Cooling valve opening
OUT7	Cooling valve closure
OUT8	Not used

Note: better configuration possibilities, including the management of other types of loads, or the configuration of the free outputs, are available using MyHOME_Suite (in this case the described applications must be fully configured using a PC), starting from verion 1.3, which can be downloaded from the website www.homesystems-legrandgroup.com

Front view

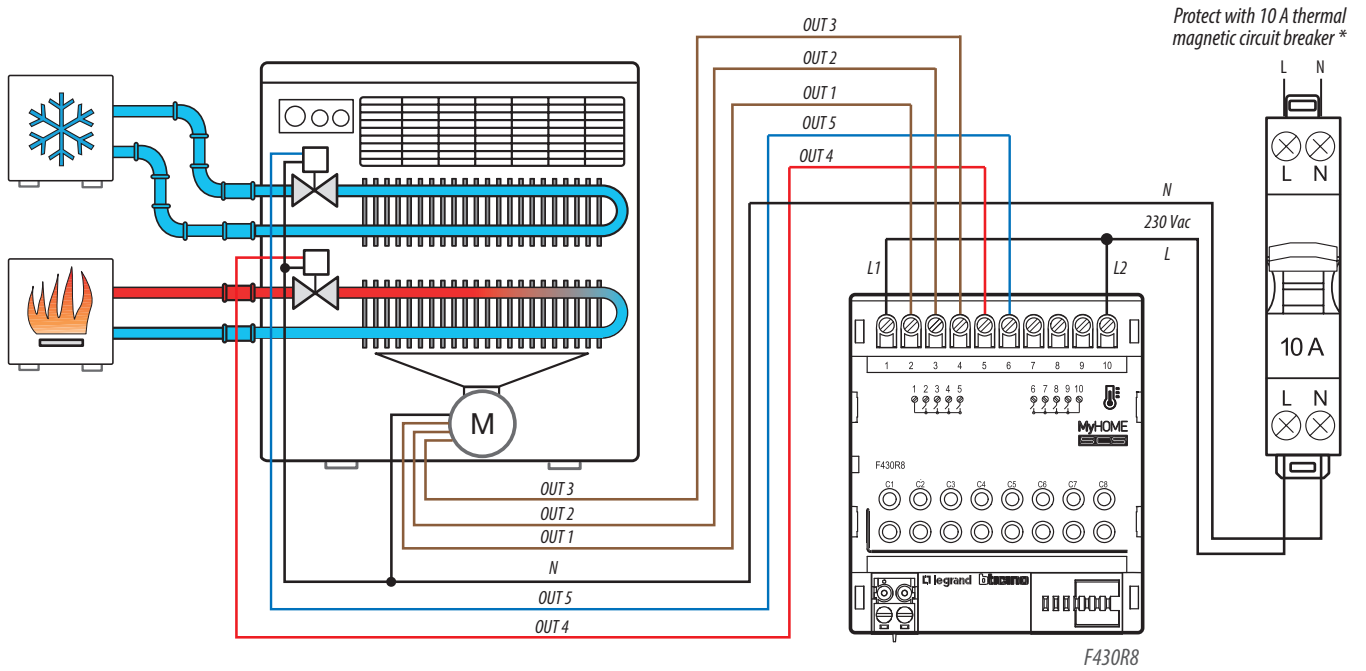


Legend

1. Outputs 1–8 + 2 common contacts
2. Configurator socket
3. BUS
4. Pushbuttons

Wiring diagrams

Example of connection of a 4-tube fan-coil with On/Off valves.



* Valid for all the various wiring possibilities.

NOTE: In the case of 2-tube fan-coils with on/off valve (configuration is available only with MyHome suite), use the previous diagram and connect the only valve to the clamp 5.