



Contents	Page
1. Description, use	2
2. Range	2
3. Overall dimensions	2
4. Preparation and connection.....	2
5. General characteristics	2
6. Conformities.....	2

1. DESCRIPTION - USE

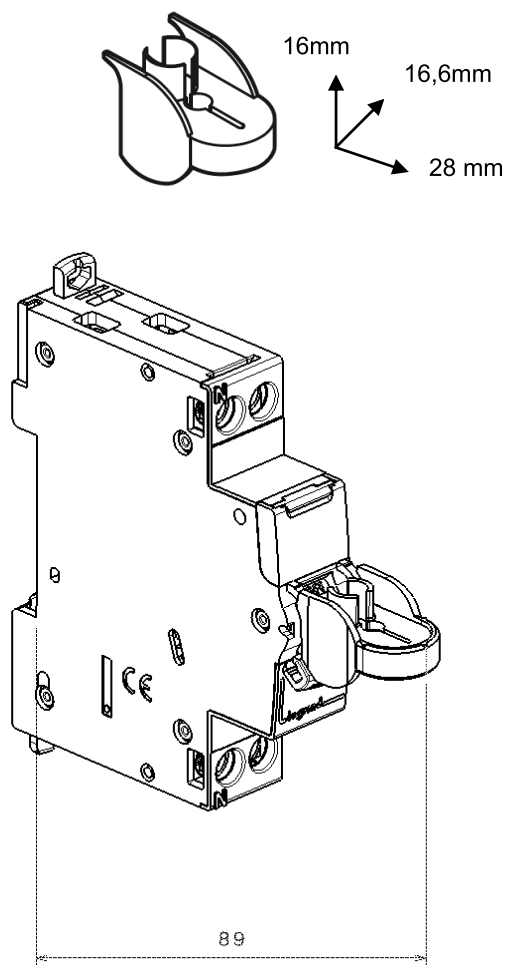
Support for one padlock for DX3 Ø5 mm or Ø6 mm.
 Enable to lock MCBs, RCBs, RCCBs and Isolator switches when contacts are opened (OFF).

2. RANGE

Cat. Number F80BL : delivered by two.

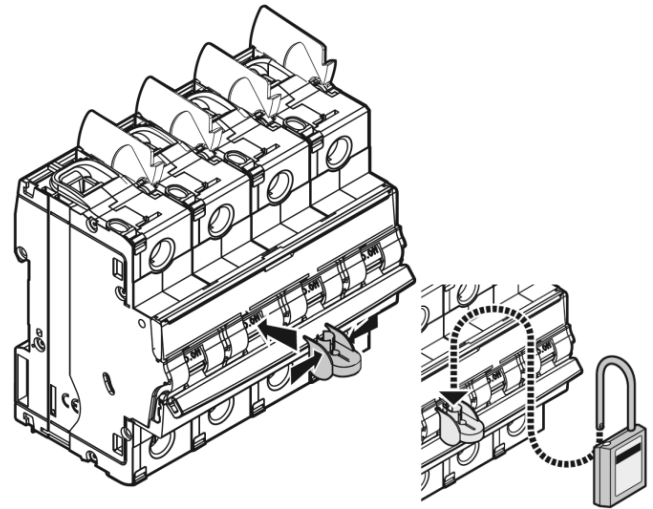
3. DIMENSIONS

Dimensions in mm



4. PREPARATION AND CONNECTION

Directly on the handle in open position (OFF).
 No tool required.



5. GENERAL CHARACTERISTICS

- . Operating and stockage temperature : -40°C to +70°C
- . Plastic material used :
 - Polycarbonate
 - Resistance to incandescent wire test at 960°C in accordance with IEC/EN 60 695-2-11
- . Average weight : 2,4 g
- . Packed volume : packed by 2 products - 0,198dm³

6. CONFORMITIES

Not applicable