

Description

The Smarter connected electronic thermostat, together with the dedicated Thermostat App, is a device which allows you to adjust and monitor the temperature in the rooms locally or remotely. The temperature level can be set locally for manual operation and the Boost mode can be activated. The Boost forces the switching on of the system for a limited time (30, 60 or 90 minutes) independent of the measured and programmed temperature. It can also display the temperature and humidity measured.

Thanks to its Wi-Fi connection, all the programming and most of the functions are performed simply and intuitively using the App in the home or remotely.

Smarter can be installed both in 503E flush-mounted boxes and in round flush-mounted boxes:

- type 500
- type 502PB (only for X8000/SX8000);
- type 0 800 21 (only for 0 490 36).

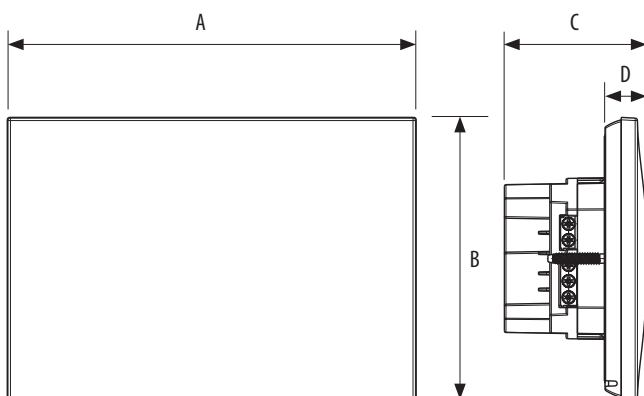
Technical data

Power supply	110 – 240 Vac, 50/60Hz
Absorption	2 W max
Maximum cable section	1 x 1.5mm ²
Operating temperature	5 – 40 °C
Temperature set-point	5 – 40 °C; increase of 0.5 °C
Type of activation	1BU
Pollution level	2
Rated pulse voltage	4 kV

Wireless device in compliance with 802.11b/g/n standard, frequency 2.4 – 2.4835 GHz, transmission power < 20 dBm.

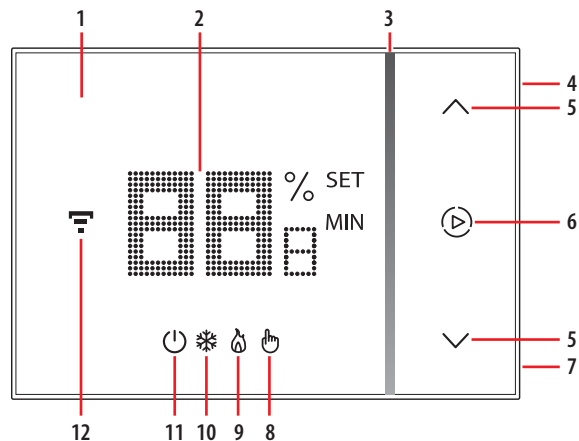
WPA/WPA2 safety protocol.

Dimensional data

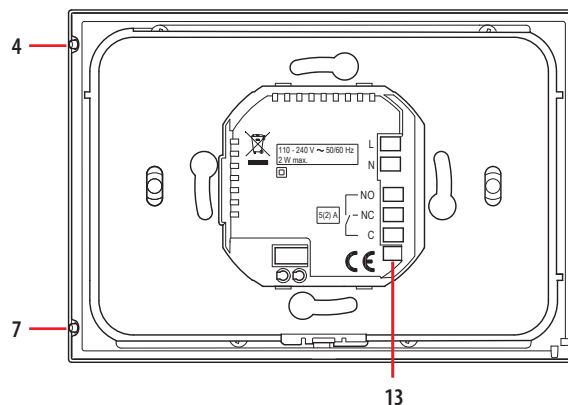


A	B	C	D
126 mm	87 mm	43,6 mm	12,6 mm

Front view



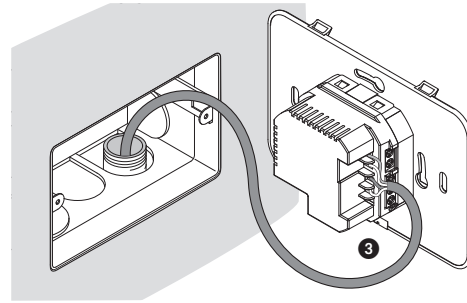
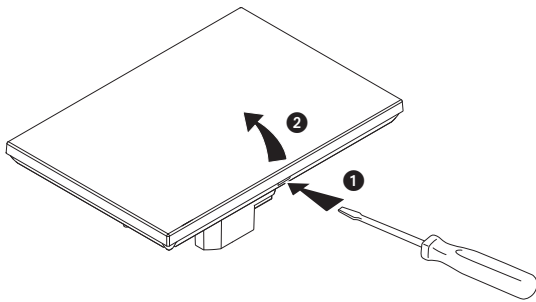
Rear view



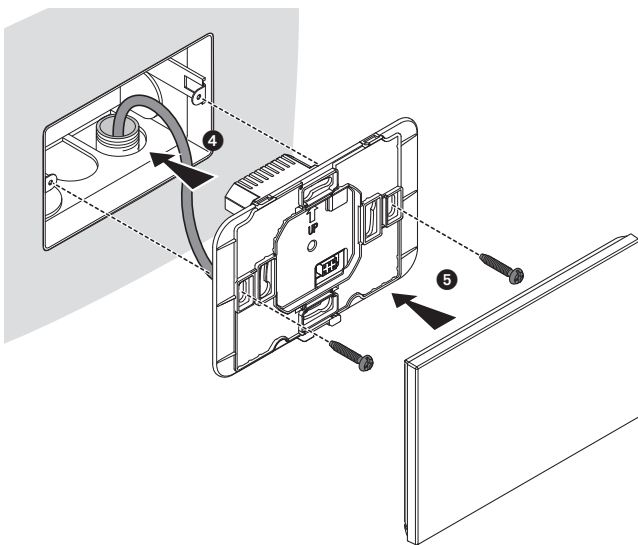
Legend

1. Touch screen display
2. Temperature/humidity display
3. “Boost” mode indicator
4. Wi-Fi connection key
5. Keys for temperature setting
6. Boost mode activation
7. Reset key (keep pressed for 10”, it restores the factory settings)
8. Manual mode indicator
9. ON heating indicator
10. ON cooling indicator
11. “OFF thermostat” indicator;
7 °C temperature (antifrost) in heating function;
35 °C temperature (heat protection) in cooling function.
12. Wi-Fi connection indicator
13. Connection clamps

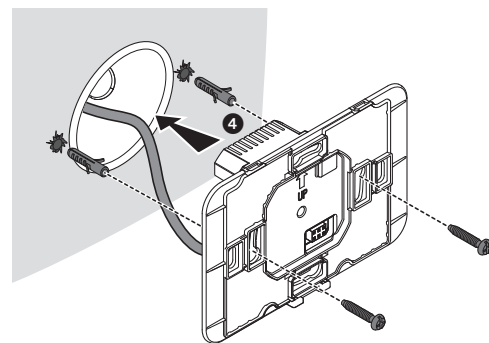
Installation



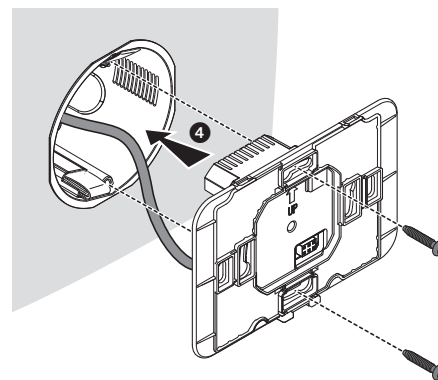
With 503E boxes - Screw centre distance 83.5 mm



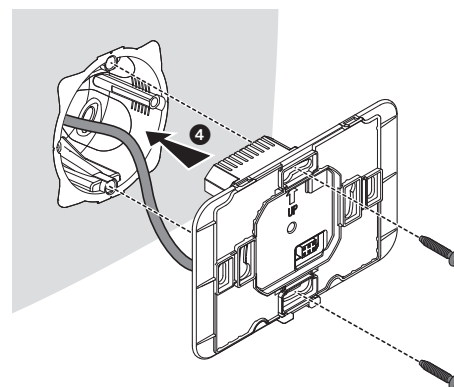
With 500 boxes



With 502 PB boxes (only for X8000/SX8000) - Screw centre distance 60 mm



With 0 800 21 boxes (only for 0 490 36) - Screw centre distance 60 mm

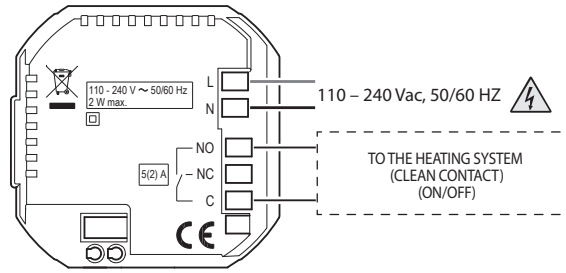


Caution: avoid tightening the screws too much, in order to prevent any base distortion that may compromise the correct installation of the device. The front must be tightly fixed to the base and the fastening clip should lock into place.

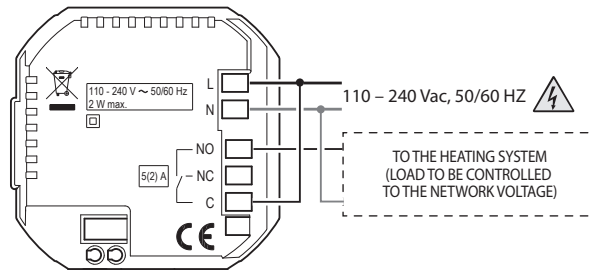
Once the installation has been done, wait for 2 hours before checking the read temperature.

Wiring diagrams

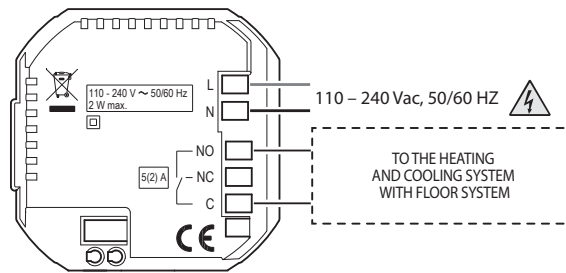
System only for heating with clean contact (e.g. boiler agreement)



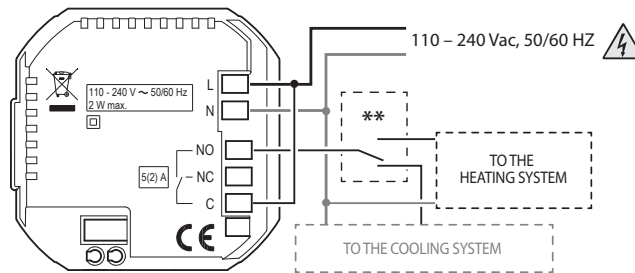
System only for heating with load to be controlled to the network voltage (e.g. 230Vac solenoid valve)



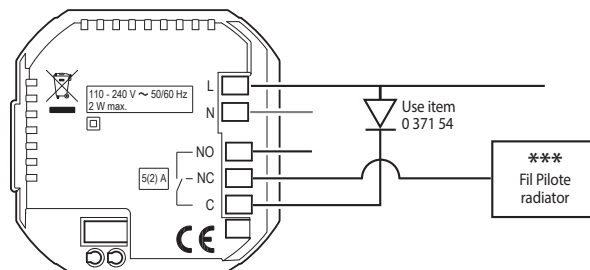
Heating and cooling* with floor system



Heating and cooling* with different systems




Heating system with Fil Pilote radiators



* The cooling function can be activated only via App.

** External changeover switch must be properly switched when system function is changed from heating to cooling and vice versa.

*** For the correct operation of Smarter during use with Fil Pilote radiators, the highest COMFORT temperature possible must be set on the radiator. It is however not possible to reach a higher temperature than the COMFORT temperature set on the radiator, irrespective of the Smarter setpoint.


Switch the power supply
OFF before any work on
the system

Thermostat App and technical documentation

Scan the QR code or look for "Thermostat" to download the Thermostat App in Apple Store or Google Play

bticino



legrand®



Download all the technical documentation about Smarter

bticino



legrand®



THIRD PARTY SOFTWARE LICENCES

This product includes:

* FreeRTOS™, (see <http://www.freertos.org> for details).
FreeRTOS™ is a trade marks of Real Time Engineers Ltd.

* mbed TLS (<https://tls.mbed.org>)

Copyright (C), ARM Limited, All Rights Reserved
SPDX-License-Identifier: Apache-2.0

Licensed under the Apache License, Version 2.0 (the "License"); you may not use this file except in compliance with the License.

You may obtain a copy of the License at

<http://www.apache.org/licenses/LICENSE-2.0>

Unless required by applicable law or agreed to in writing, software distributed under the License is distributed on an "AS IS" BASIS, WITHOUT WARRANTIES OR CONDITIONS OF ANY KIND, either express or implied. See the License for the specific language governing permissions and limitations under the License.

* SPI Flash File System (<https://github.com/pellepl/spiffs>)

The MIT License (MIT) Copyright (c) 2013-2016 Peter Andersson (pelleplutt1976<at>gmail.com)

Permission is hereby granted, free of charge, to any person obtaining a copy of this software and associated documentation files (the "Software"), to deal in the Software without restriction, including without limitation the rights to use, copy, modify, merge, publish, distribute, sublicense, and/or sell copies of the Software, and to permit persons to whom the Software is furnished to do so, subject to the following conditions:

The above copyright notice and this permission notice shall be included in all copies or substantial portions of the Software.

THE SOFTWARE IS PROVIDED "AS IS", WITHOUT WARRANTY OF ANY KIND, EXPRESS OR IMPLIED, INCLUDING BUT NOT LIMITED TO THE WARRANTIES OF MERCHANTABILITY, FITNESS FOR A PARTICULAR PURPOSE AND NONINFRINGEMENT. IN NO EVENT SHALL THE AUTHORS OR COPYRIGHT HOLDERS BE LIABLE FOR ANY CLAIM, DAMAGES OR OTHER LIABILITY, WHETHER IN AN ACTION OF CONTRACT, TORT OR OTHERWISE, ARISING FROM, OUT OF OR IN CONNECTION WITH THE SOFTWARE OR THE USE OR OTHER DEALINGS IN THE SOFTWARE.