

Index	Pages
1. Description - Use	2
2. Range	2
3. Overall dimensions	2
4. General characteristics	2
5. Compliance and approvals	3
6. Auxiliaries and accessories	3

LineaWALL SURFACE MOUNTING CABINETS 18 MODULES

Cat. Nos :
F305PT18 - F305PT36
F305PT54 - F305PT72

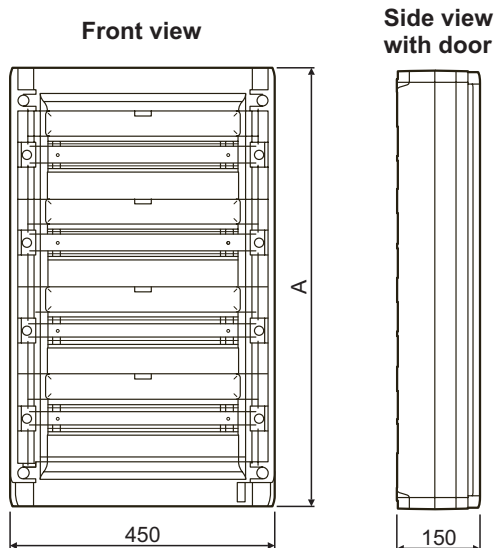
1. DESCRIPTION - USE

- Plastic surface-mounting-cabinets, supplied with transparent door for small commercial installations.
- Fully reversible (back, cover and door)
- Distance between rails : 150 mm
- Faceplate can be removed one row at a time from 2x18M
- Perforated plate and solid faceplate accessories for mounting non modular products from 2 rows cabinets
- Lockable door handle
- Can be equipped with IP2X terminal blocks (to be ordered separately)
- Extractible and pivoting chassis
- 2 Nm cover plastic screws service torque

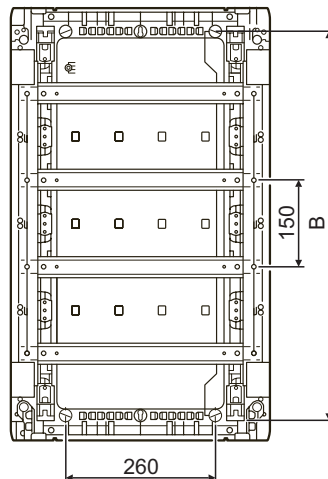
2. RANGE

Cat. Nos.	Number of rows	Number of modules per row	Door range
F305PT18	1	18	Transparent
F305PT36	2	36	Transparent
F305PT54	3	54	Transparent
F305PT72	4	72	Transparent

3. OVERALL DIMENSIONS



Fixing centre distances and distance between rails



Cat. Nos.	A (mm)	B (mm)
F305PT18	300	250
F305PT36	450	365
F305PT54	600	515
F305PT72	750	665

4. GENERAL CHARACTERISTICS

4.1 Technicals characteristics

- Box and cover colour :White RAL 9003
- Protection index : IP40 - IK09 with door
- Self-extinguishing : 650°C
- Classe II double insulation
- Rated operating voltage : 400V AC - 50/60 Hz
- Rated insulation voltage : 400V AC - 50/60 Hz
- Short circuit current : 10 kA
- Storage temperature : -20°C to +70°C
- Operating temperature : -5°C to +40°C
- Installation temperature : -15°C to +60°C
- Maximum admissible current :

Cat. Nos.	Maximum admissible current
F305PT18	63 A
F305PT36	90 A
F305PT54	125 A
F305PT72	125 A

- Maximum capability to dissipate power (Pde) :

Cat. Nos.	Maximum dissapate power
F305PT18	43 W
F305PT36	50 W
F305PT54	66 W
F305PT72	68 W

- Permissible loads : 40N per row

LineaWALL SURFACE MOUNTING CABINETS 18 MODULES

Cat. Nos :
F305PT18 - F305PT36
F305PT54 - F305PT72

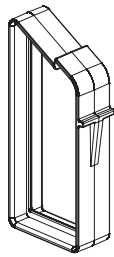
4.2 Materials

- Box, cover, faceplate, terminal block support, open-work plate : resistant reinforced polystyrene.
- Rails supports, pivot-bolt, screw, cover ¼ turn fixing : glass fibre-reinforced polycarbonate.
- Door, hinge, label holder, rod, guide: polycarbonate.
- Rails and metal uprights : galvanized steel

4.3 Equipment supplied

Guide ties supplied with the cabinet

Cat. Nos.	Number of ties
F305PT36	2
F305PT54	3
F305PT72	4



4.4 Blanking plates supplied

Cat. Nos.	Number of blanking plates
F305PT18	1 x 5 modules
F305PT36	2 x 5 modules
F305PT54	3 x 5 modules
F305PT72	3 x 5 modules

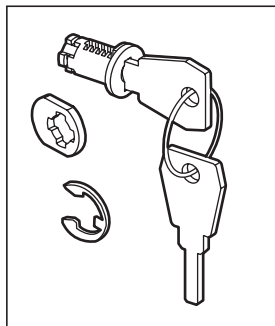
5. COMPLIANCE AND APPROVALS

Complies with IEC 60 670-24 (classification PD enclosure), CEI 23-48, CEI 23-49, for creating assemblies compliant with IEC 61 439-3 IMQ certificate
Complies with REACH and ROHS directives
PEP

6. INSTALLATION ADD-ONS

6.1 Locking bolt Cat. No. F305C1

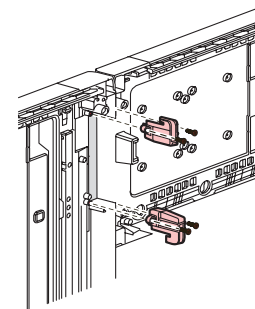
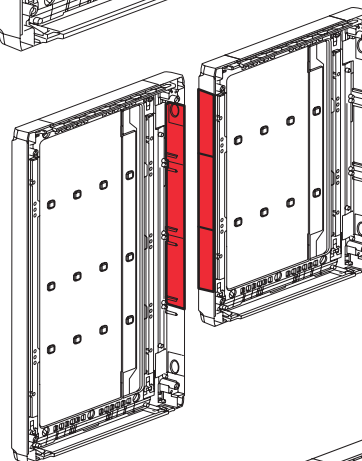
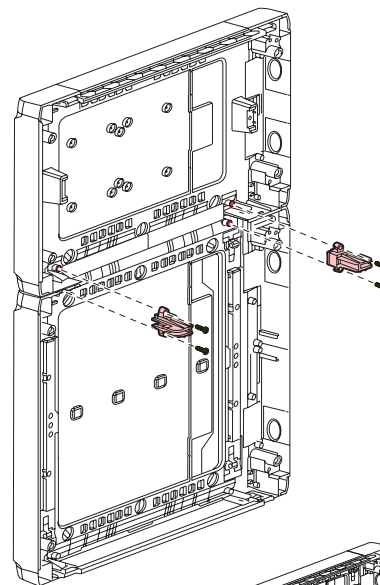
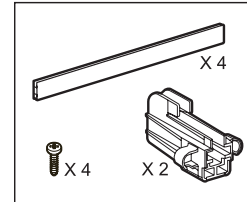
No. 850



Compatible with all sizes

6.2 Joining kit Cat. No. F305KA

Used to link cabinets horizontally and vertically
Material : fiber reinforced polycarbonate
Self-extinguishing : 850°C
IP40 maintained

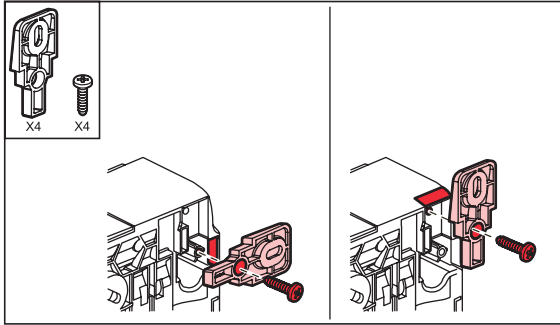


LineaWALL SURFACE MOUNTING CABINETS 18 MODULES

Cat. Nos :
F305PT18 - F305PT36
F305PT54 - F305PT72

6.3 Set of 4 wall-mounting brackets Cat. No. F305KM

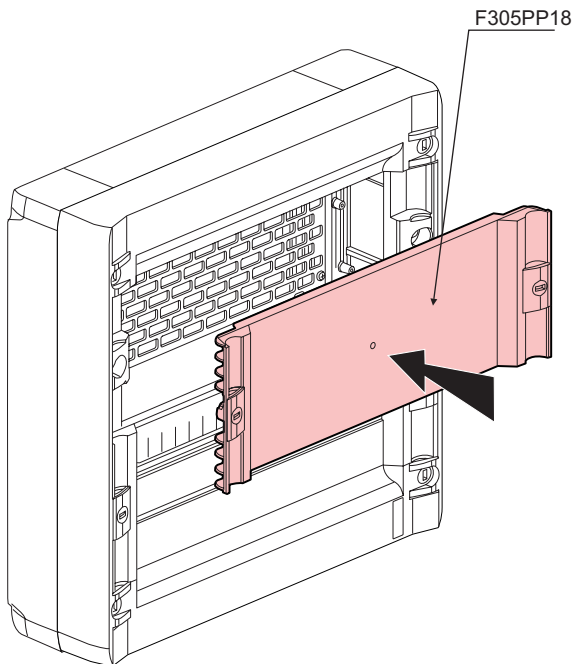
Self-extinguishing : 850°C
Material : fiber reinforced polycarbonate



6.4 Blanking plates Cat. No. F215FP5

5 modules, separable by module or half-module
Color : white RAL 9003
Self-extinguishing : 850°C
Material : polystyrene

6.5 Plain faceplate Cat. No. F305PP18

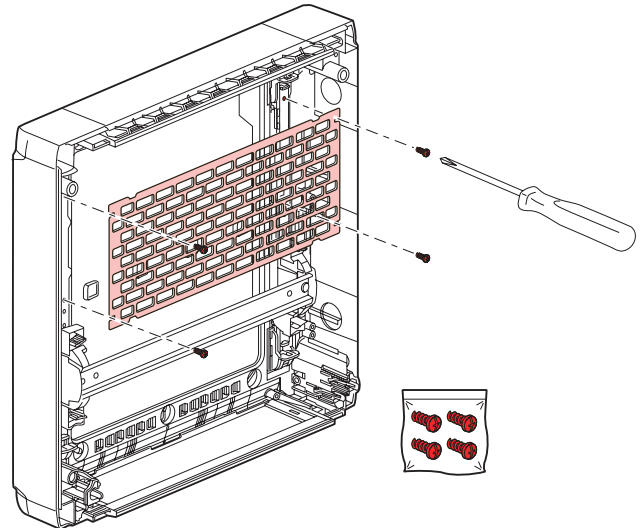


Finishing accessory for non-modular products.
Set up in 2-3 and 4 rows 18 modules cabinets.
Cutting plain faceplate
Color : white RAL 9003
Self-extinguishing : 750°C
Material : polystyrene

6.6 Perforated plate supplied with 4 fastening screws

Cat. No. F305PF18

Used to replace the DIN rail when integrating non-modular products.
Height : 145 mm
Material : galvanized steel



6.7 Doors

Cat. Nos.	White door
F305PT18	F305B18
F305PT36	F305B36
F305PT54	F305B54
F305PT72	F305B72

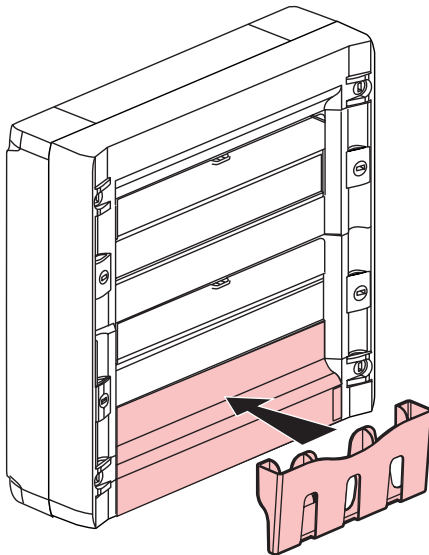
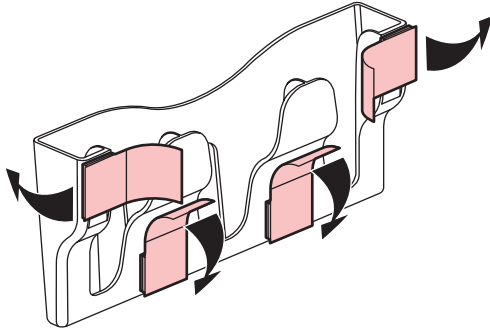
Color : white RAL 9003
Material : polycarbonate
Self-extinguishing : 750°C

LineaWALL
SURFACE MOUNTING CABINETS
18 MODULES

Cat. Nos :
F305PT18 - F305PT36
F305PT54 - F305PT72

6.8 Documents holder Cat. No. F305TP

Color : white RAL 9003
Material : polystyrene
Self-extinguishing : 650°C



6.9 Blanking plates Cat. No. F215FP

5 modules can be separated for each module half-module
Color : white RAL 9003
Material : polystyrene
Self-extinguishing : 850°C