

Floor call entrance panel

322021

Description

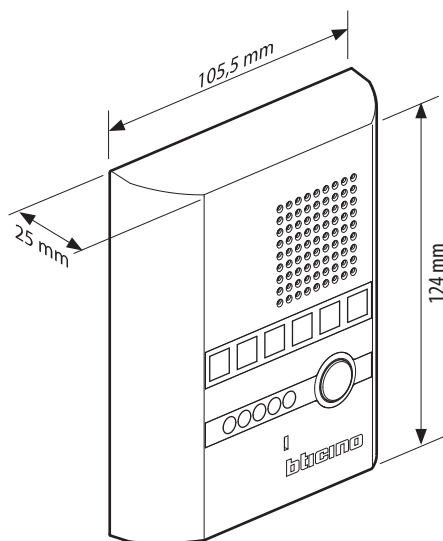
Plastic small single call entrance panel to be installed in one-family systems or as private floor call panel in multifamily systems.

Surface mounting. 4-wire connection directly to D45 internal unit.

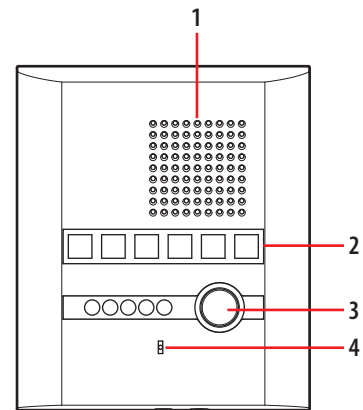
Technical data

IP grade	IP 44
IK grade	IK 06
Stand-by current absorption	5 mA
Operating current absorption	≤120mA @12 V
Camera view angle	92° H:72° V:54°
Camera minimum lux level	0.01 lux

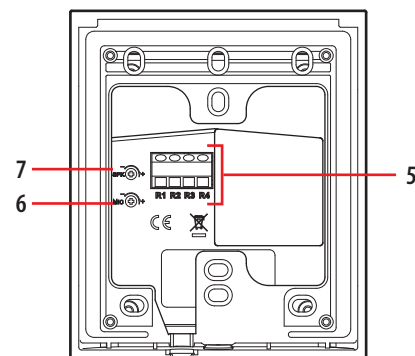
Dimensional data



Front view



Rear view



Legend

1. Loudspeaker
2. Camera
3. Call key
4. Microphone
5. R1: to connect R1 terminal of the internal unit
R2: to connect R2 terminal of the internal unit
R3: to connect R3 terminal of the internal unit
R4: to connect R4 terminal of the internal unit
6. MIC: can adjust the volume from this device to the internal unit
7. SPK: can adjust the volume from the internal unit to this device