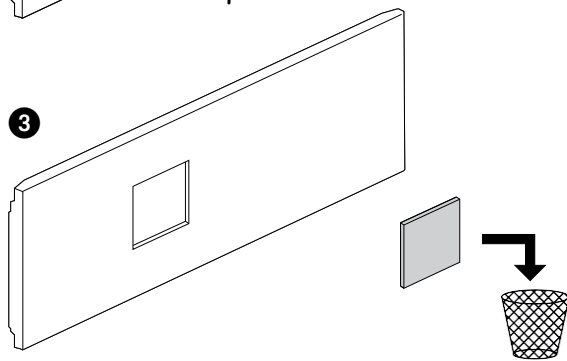
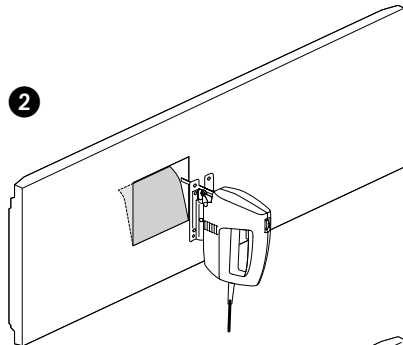
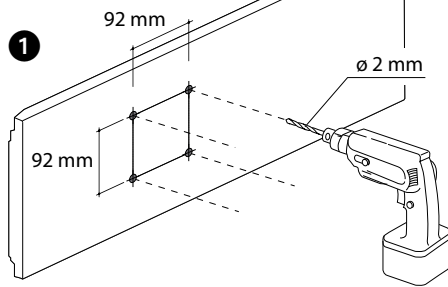
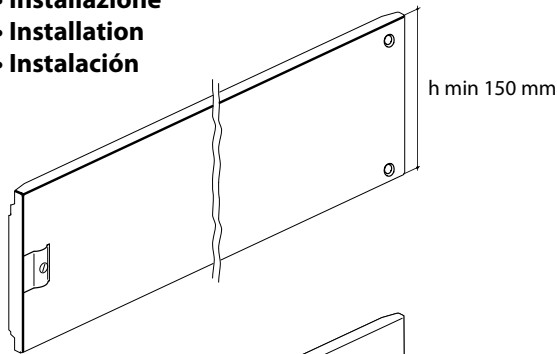





• **Installazione**  
• **Installation**  
• **Instalación**

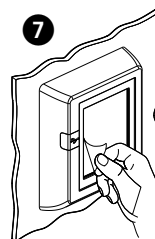
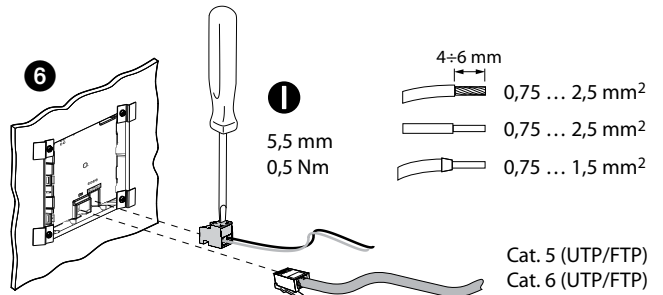
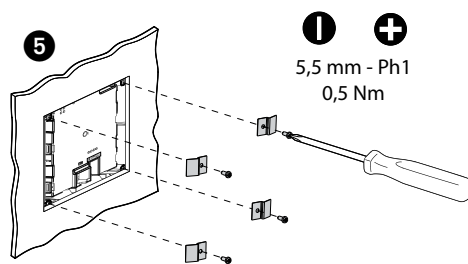
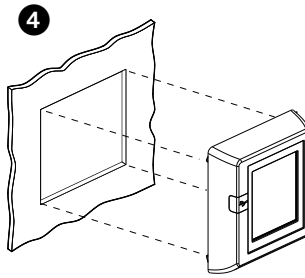


• **Dati tecnici**  
• **Technical data**  
• **Datos técnicos**


 18 - 27 V  $\equiv$   
2,2 W (80mA @ 27 V  $\equiv$ )


 0 °C - (40°C)

 IP Address: 192.168.1.100  
Subnet mask: 255.255.255.0  
Router: 192.168.1.1



- **Per pulire non utilizzare solventi, materiale abrasivi o corrosivi**
- **Do not use solvents or abrasive or corrosive materials to clean**
- **Para limpiar la pantalla, no utilice disolventes, materiales abrasivos o corrosivos**



 IP Address: \_\_\_\_\_

Subnet mask: \_\_\_\_\_

Router: \_\_\_\_\_