

Flush mounted 2 wire indoor colour camera

391657 - 391661
391658 - 391662
391659 - 391663

Description

2 wire indoor colour camera for video monitoring system functions. Flush mounted or wall mounted installation using the dedicated accessories of the AXOLUTE and LIVINGLIGHT.

WARNINGS : do not point the camera towards the sun or towards light sources.

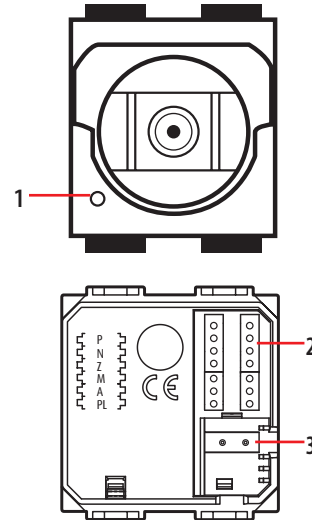
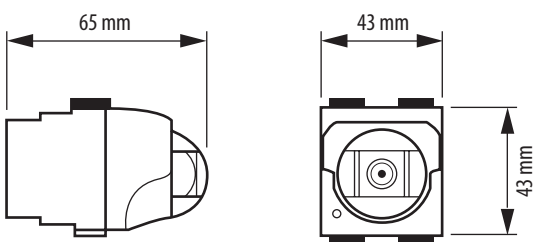
Related items

The device must be completed with the accessories and the front cover plates of the AXOLUTE, LIVING, LIGHT, LIGHT TECH residential series.
Refer to the corresponding catalogues.

Technical data

Power supply from SCS BUS:	18-27 Vdc
Sensor:	from 1/3" colour CCD
Stand by absorption:	5 mA
Max. operating absorption:	140 mA
Lens:	"semi pin-hole" 3.7 mm
Interlace:	2:1
Scanning:	Standard CCIR
Horizontal frequency:	15625 Hz
Vertical frequency:	50 Hz
Image elements:	537 (H) x 597 (V)
Horizontal resolution:	380 TV lines at the image centre
Video signal:	PAL compatible
Minimum illumination:	5 lux
Operating temperature:	5 - 40 °C

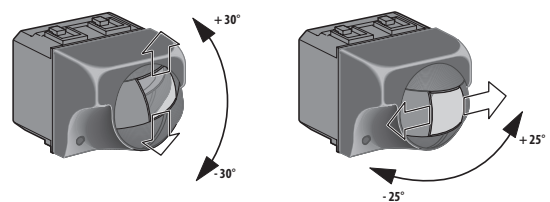
Dimensional data



Legend

- 1 - Microphone
- 2 - Configurator socket
- 3 - 2 WIRE BUS connection clamp

Camera adjustment



Configuration

The device must be physically configured in terms of:

P – Camera address

The configurator assigns to the camera the address inside the apartment.

NOTE (*) : connect an OFF configurator here to disable the microphone (function available for cameras configured from 0 to 9, for other cameras the microphone cannot be excluded).

N – Address of the handset called in case of alarm

Z – Zone of the alarm system the camera is associated to

M – Mode of operation when a camera is switched on

Each time a camera is switched on (call, selfswitching on, alarm) the MyHOME actuator and the scenario configured in A and PL are activated. When the camera is switched off, the associated actuator also switches off, while the scenario remains active.

If an actuator used by the automation system is also associated to the camera, the actuator will switch itself off when the camera is switched off, even if it was already on when the camera came on. To avoid this problem, the load should be activated using an actuator F411/2, configuring different PL and setting the contacts with parallel connection.

M	A/PL
M = 0	Address of the SCS control device associated to the camera
M = 1 - 9	Address of the scenarios module associated to the camera

	P	N	Z	M	A	PL
○	○	○	○	○	○	○
*	○	○	○	○	○	○
○	○	○	○	○	○	○