

## SFERA CLASSIC, speaker module with graphic display

342630

### Description

Speaker module for 2 WIRE system with graphic display.

Can send the call to an handset by scrolling the residents' names or codes on a display (previously programmed).

It integrates the speaker module and the resident search function on graphic display in one device. The module can save up to 1000 residents' names and surnames associating them to the apartment SCS address.

500 names can be saved when the option of coupling a message with them is selected. If only the residents' codes are saved, the capacity extends to 5000 codes

The names may be programmed in the address book in the following ways:

- Using the keys of the module
- Using the specific software, which can be downloaded free of charge from [www.homesystemslegrandgroup.com](http://www.homesystemslegrandgroup.com); this mode has the advantage of offering many more options when compared with the physical configuration (it also gives the possibility of updating the firmware, after entering the password set by the user).

To make the call:

- Scroll the names using keys ref. 5 and 6
- Press key ref. 4 (flashing) to send the call

**NOTE:** System power supply cuts do not cause the loss of memory data.

### Related items

332661 (speaker module front cover - Allmetal)

For the use of monobloc front covers refer to the catalogue.

### Technical data

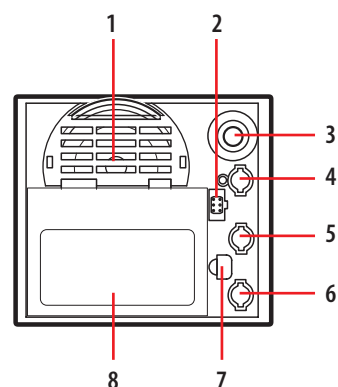
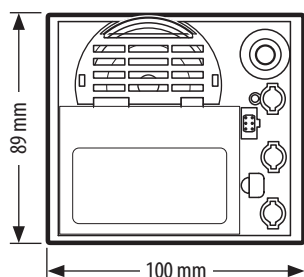
Power supply from SCS BUS: 18 – 27 Vdc

Stand by absorption: 110 mA

Max. operating absorption: 160 mA

Operating temperature: (-20) – (+70) °C

### Dimensional data



### Legend

- 1 - Loudspeaker
- 2 - Connector to the RS-232 port of the PC (use the cable 335919)
- 3 - Microphone
- 4 - Call forward key
- 5 - Scroll key (Up)
- 6 - Scroll key (Down)
- 7 - IR receiver (programming using the remote control)
- 8 - Graphic display

**Configuration**

The device must be physically configured as follows:

**P - entrance panel number**

The configurator in socket P of the speaker module assigns to this a recognition number inside the system.

The numbering of the entrance panels must always start from P=0. The entrance panel configured with P=0 must be a common (or main) entrance panel.

**T - Door lock relay timing**

configurator number

0= No configurator	1	2	3	4*	5	6	7
4 sec.	1 sec.	2 sec.	3 sec.	as pushbutt.	6 sec.	8 sec.	10 sec.

\* **Operation as pushbutton for 10 sec. max.**, after which standby mode is activated. To extend operation time over 10 seconds, use actuator 346200 / 346210 configured with **MOD=5**.

**J1/J2 - Critical door lock power supply**

Remove the JMP1 and JMP2 jumpers to connect to the speaker module a door lock with independent power supply.

**J3 - EP local power supply**

When the device is powered locally remove jumper JMP3

**J4 - it confirms the EP call**

To eliminate the entrance panel call confirmation sound, remove the J4 jumper.

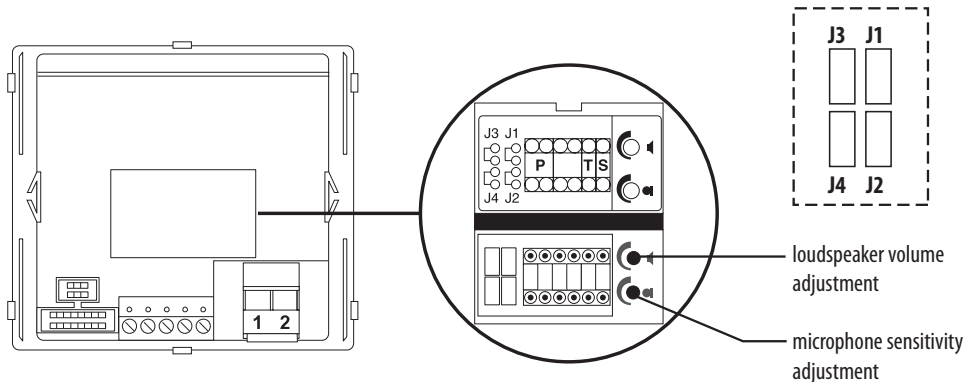
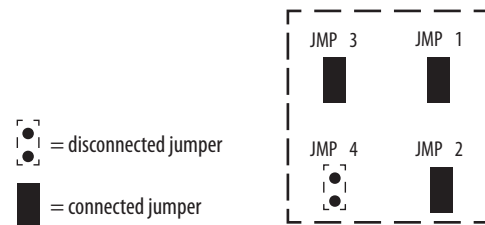
**S – type of call signal**

The configuration of S determines the call tone of handsets. One can thus differentiate the calls from different entrance panels.

**Table for handset call signal**

Configurator	0	1	2	3
Type of bell	2-tone	2-tone	2-tone	One-tone
	1200Hz	1200Hz	1200Hz	1200Hz
	600Hz	0 Hz	2400Hz	

For the SWING, PIVOT, POLYX, CLASSE 100 and AXOLUTE handsets, the configurator associates the entrance panel to the bell programmed in the handset. It is possible to choose between 16 different bells. In one-family systems S=9 to configure the general call.



**Factory configuration**

Secret code	1234
Language	Italian
Address book format	Alphanumeric without message
Switchboard	4000 Disabled
Direct call	0000 and 0001 Disabled
Door code	1234, 1235, 1236, 1237 and 1238
Contrast	50
Recall	Disabled