

## Indoor siren

573984 067515 HD4070 N4070  
HC4070 HS4070 NT4070

### Description

This siren is fitted with battery (item 3507/6); up to a maximum of 3 indoor sirens can be installed inside the protected area.

It can be installed in flush mounted boxes. The indoor siren can be programmed for signalling intrusion alarms through a continuous sound (frequency 1880Hz) and/or auxiliary alarms through a modulated sound.

This siren is self-protected against opening and rip-off by means of a self-adjusting tampering device. Do not use batteries different from the ones indicated.

Related articles:

681 89 (White Cover)

684 89 (Titanium Cover)

801 24 (Flush-mounting box)

89379 (Flush-mounting box)

89130 (Flush-mounting box)

### Technical data

- Power supply from SCS BUS: 27 Vdc
- Self powering battery: item 3507/6
- Max. absorption: 8 mA
- Operating temperature: 5 – 40°C
- Level of the signal emitted: 105 dB(A) at 3 metres
- Frequency: 1880 Hz.

### Configuration

The indoor siren requires assignment of the progressive number and the operating mode. It gives an intermittent sound to signal the activation of any one of the auxiliary channels generated by an auxiliary channel interface in mode 0 and 4 (technical alarm).

**N°**

This configurator assigns the progressive number in the internal siren unit.

No configurator or configurator 1 identifies the first siren, configurator 2 the second and configurator 3 the third.

**NOTE:** Systems with external siren 4072A and 084424:

If the system has an external siren, it must be considered as siren No. 1; if there are two, they must be considered as No. 1 and No. 2.

The internal sirens will be counted in sequence. There must be a maximum of 3 sirens (internal and external).

**MOD**

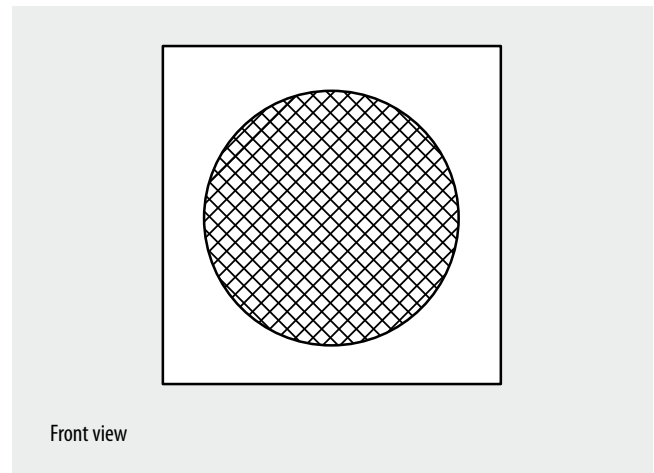
This configurator assigns the signalling mode based on the type of alarm received.

**No configurator:** anti-intrusion alarm and technical alarm enabled.

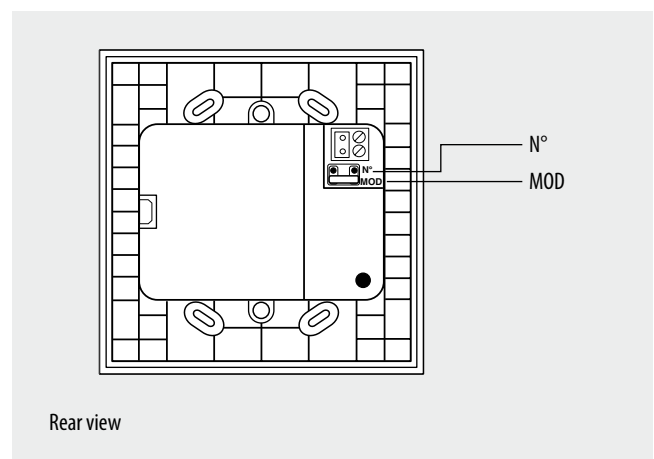
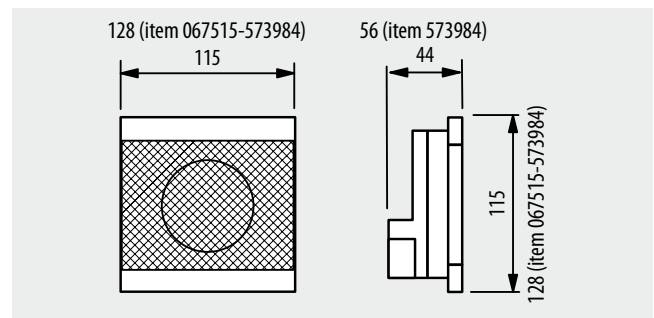
**Configurator 1:** anti-intrusion alarm enabled and technical alarm disabled.

**Configurator 2:** anti-intrusion alarm disabled and technical alarm enabled.

**Configurator 4:** anti-intrusion alarm and technical alarm enabled. System ON/OFF sound signal.



### Dimensional data



**Configurator 5:** anti-intrusion alarm enabled and technical alarm disabled. System ON/OFF sound signal.

**Configurator 6:** anti-intrusion alarm disabled and technical alarm enabled. System ON/OFF sound signal.